



Luxe™ LP

User Guide	English (2 – 10)
Guía de usuario	Español (11 – 19)
Guide d'utilisation	Français (20 – 28)
Guida per l'uso	Italiano (29 – 37)
Benutzerhandbuch	Deutsch (38 – 46)
Appendix	English (47)

User Guide (English)

Introduction

Thank you for purchasing the Luxe LP. At ION, your entertainment is as important to us as it is to you. That's why we design our products with one thing in mind—to make your life more fun and more convenient.

Box Contents

Luxe LP	45 RPM Adapter
Power Adapter	USB Cable
Dust Cover	Quickstart Guide
Felt Slipmat	Safety & Warranty Manual

Important: Visit ionaudio.com to download the free EZ Vinyl/Tape Converter software.

Support

For the latest information about this product (documentation, technical specifications, system requirements, compatibility information, etc.) and product registration, visit ionaudio.com.

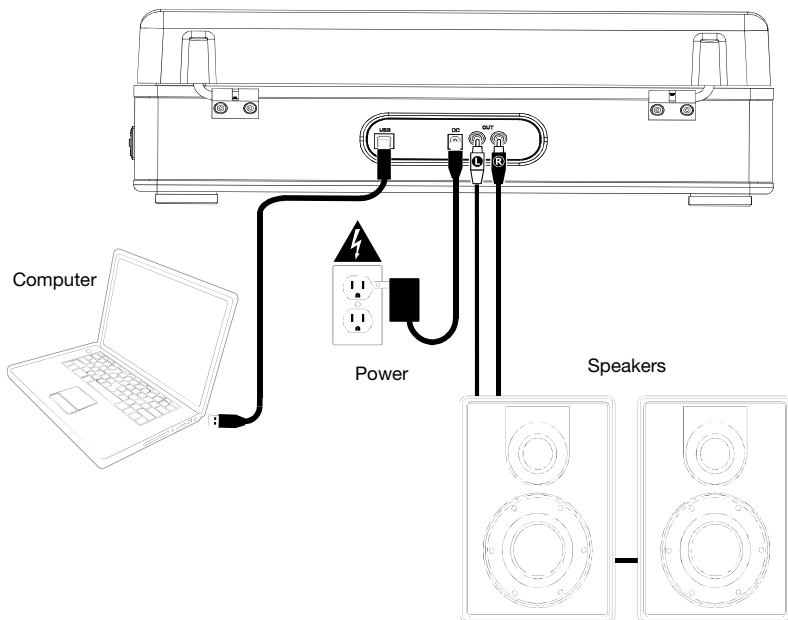
For additional product support, visit ionaudio.com/support.

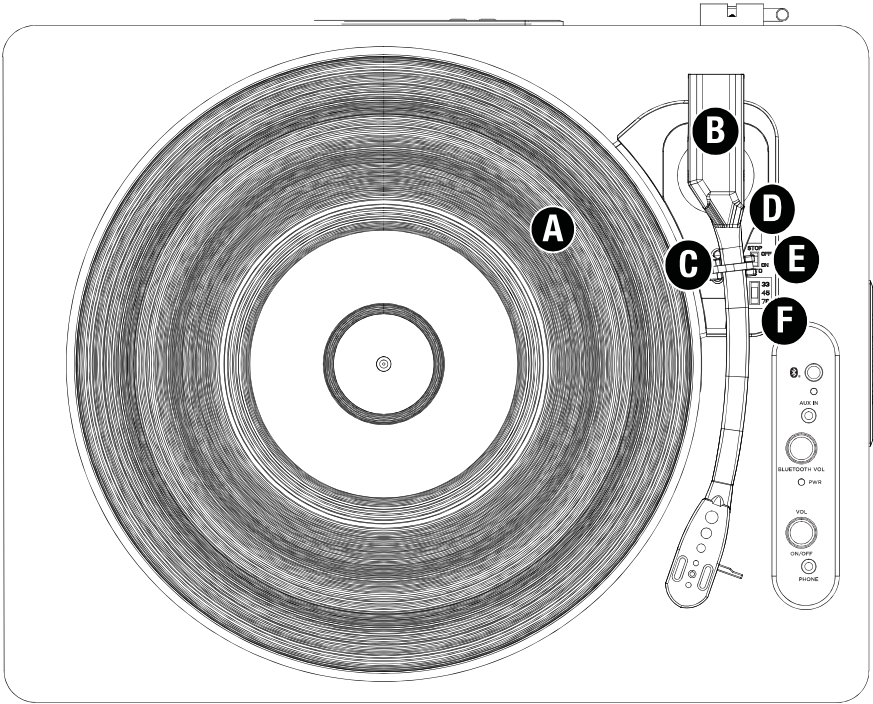
Setup

1. Place the unit on a stable, level surface, away from any strong magnetic fields.
2. Lift the cabinet lid to access the turntable.
3. Remove the plastic stylus cover from the cartridge.
4. Remove the twist-tie used to secure the tonearm during shipment.
5. **Optional:** Connect an output device to the **Line Output** and an input device to the **Aux In**.
6. **Optional:** Use the included USB cable to connect your turntable to your computer. The USB connection will send audio from the turntable to your computer.
7. Connect the power cable to an available power outlet.
8. Turn the **Volume/Power** knob to turn the unit on.

Connection Diagram

Items not listed under [Introduction > Box Contents](#) are sold separately.



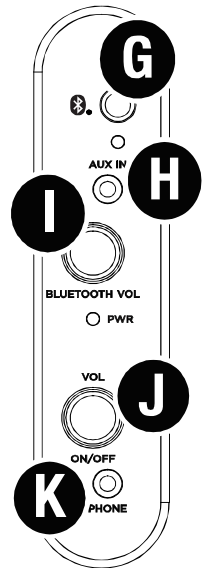


- A. **Platter:** Place your record here.
- B. **Tonearm:** Tracks the groove in a vinyl record.
- C. **Arm Clip:** This specially designed arm clip secures the tonearm while at rest or when not in use. The arm clip has been designed to remain in the up position while unlocked.
- D. **Raise / Lower Lever:** Raises and lowers the tonearm.
- E. **Autostop switch:** This switch turns autostop on or off. When autostop is on, the platter will start spinning when the tonearm is placed over the record and stop spinning when the record has reached the end. (When autostop is off, the platter will always spin regardless of the position of the tonearm.)
- F. **33 / 45 / 78 Switch:** This switch controls the RPM of the turntable platter.

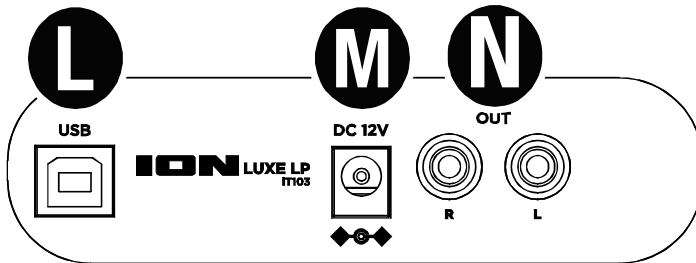
Note: For best results when playing 78 RPM vinyl records, use a 78 stylus (sold separately). Only use a 78 stylus with 78 RPM vinyl records. Purchase a 78 RPM stylus at ionaudio.com.

UI Panel

- G. **Bluetooth® Button:** Press this button to start Bluetooth pairing. To cancel or exit pairing mode, press the Bluetooth button again. The LED will blink when pairing with a Bluetooth device, and remain solid once fully paired. If currently connected to a Bluetooth speaker, press this button to disconnect from the speaker.
- H. **Aux Input:** Connect a CD player, digital media player, or other audio source to this 1/8" (3.5 mm) stereo auxiliary input. The audio from the Aux Input is also transmitted over a Bluetooth connection.
- I. **Bluetooth Volume:** This knob is used for adjusting the volume of a connected Bluetooth speaker.
- J. **Volume/Power Knob:** This knob is used both for powering on Luxe LP and adjusting the speaker output volume. To turn Luxe LP on or off, simply turn the knob. You will feel a click when Luxe LP turns on. To adjust the volume, turn the knob left and right.
- TIP:** Due to the nature of Bluetooth, the Luxe LP speaker's output and the Bluetooth speaker's output will be out of sync. Turn this volume down when transmitting to a Bluetooth speaker.
- K. **Headphone Output:** Connect headphones (sold separately) to listen to your vinyl playback.



Rear Panel



- L. **USB Audio Output:** Use the included USB cable to connect your turntable to your computer. The USB connection will send audio from the turntable to your computer. Please see the [Using Luxe LP With Your Computer](#) section of this manual for information.
- M. **Power Cable Input:** Use the included adapter to connect to wall power.
- N. **RCA Output:** The audio from a playing vinyl record is sent to this line-level RCA audio output.
- Warning:** The RCA Outputs are **line-level**. Please only connect these to line-level inputs. You may damage your receiver if you plug in a line-level device into a phono-level input.

Operation

Playback

There are 3 ways to listen to your vinyl records with Luxe LP:

1. You can connect Luxe LP to a Bluetooth speaker. See the section [Pairing Luxe LP to a Bluetooth Speaker](#) for details.
2. If you prefer to use your own stereo speakers, you can connect Luxe LP's RCA outputs to a stereo system or to powered speakers. Do not connect them to phono-level inputs; Luxe LP's RCA outputs are line-level and could damage a device with phono-level inputs. Any other standard input type, such as CD, Aux In, or Tape is acceptable.
3. You can listen through your computer speakers or with headphones connected to your computer, once your computer soundcard's input device has been set to *USB PnP Audio Device* or *USB Audio Device*, depending on your Windows operating system (*USB PnP Audio Device* on macOS) and that you are record-monitoring the audio using EZ Vinyl/Tape Converter or similar software (Luxe LP cannot be used as a playback device for your computer's audio). See the section [Setting Your Computer's Soundcard as the Default Playback Device](#) for details on how to configure sound playback.

Note (for European models only): Luxe LP will automatically power off after 10 minutes if no audio is playing.

Pairing Luxe LP to a Bluetooth Speaker

Luxe LP has a Bluetooth transmitter to send audio to a Bluetooth speaker wirelessly.

1. Power on your Bluetooth speaker and ensure it is in pairing mode.
2. Power on the Luxe LP turntable.
3. Press and release the **Bluetooth button** on Luxe LP to start pairing to your Bluetooth device. Once Luxe LP is connected to the Bluetooth speaker, the **Bluetooth LED** will be solid blue. Your Bluetooth speaker should also indicate that it's paired.

Note: Luxe LP will connect to the closest Bluetooth speaker that is near it. If after 20 minutes no Bluetooth speaker can be found to pair with, the Bluetooth transmitter will become inactive and the LED will turn off.

Note: Maximum range will be achieved when using devices with Bluetooth 4.0 or higher.

4. Play music on your Luxe LP turntable. If you are connected to a Bluetooth speaker and do not hear audio, try pressing the play button on the speaker or try pressing the **Bluetooth button** on Luxe LP.
5. Adjust the volume on your Bluetooth speaker (if applicable) or the **Bluetooth Volume** knob on Luxe LP to control the output level.
6. To disconnect pairing, press and hold the **Bluetooth button**, power off the Luxe LP turntable, or turn off pairing on your Bluetooth speaker.

Note: Before connecting to your Bluetooth speaker, move other Bluetooth receivers/speakers out of range of Luxe LP (30'/9.1m or more) or turn them off.

Using Luxe LP With Your Computer

Recording

To record music to your computer, you can use ION EZ Vinyl/Tape Converter and a USB cable. EZ Vinyl/Tape Converter conveniently saves your recordings to your computer. After you finish converting your vinyl, you can then burn to CD or load onto portable media devices.

Visit ionaudio.com to download the free EZ Vinyl/Tape Converter software.

1. With EZ Vinyl/Tape Converter installed on your computer, use the included USB cable to connect Luxe LP's USB port to an available USB port on your computer.
2. On your computer, you can open EZ Vinyl/Tape Converter by going to **Start Menu ► All Programs** (Windows) or the **Applications** menu (macOS).
3. Follow the on-screen instructions to set up your recording. When prompted to play your music, move Luxe LP's tonearm over the record to start playback.

Note: To listen to a record while it's playing, listen through Bluetooth speakers, your computer's speakers, or connect Luxe LP's RCA outputs to a stereo system or powered speakers. Do **not** connect them to phono-level inputs; Luxe LP's RCA outputs are line-level and could damage a device with phono-level inputs.

4. When the record has ended, Luxe LP's tonearm will automatically return to the arm clip.

Visit ionaudio.com/computer-optimization for more information on optimizing your computer for audio.

Playback

You can listen to the music on your computer through its internal speakers or through headphones connected to it. (Luxe LP cannot be used as a playback device for your computer's audio.)

To listen to a **record** while it's playing, listen through Bluetooth speakers, your computer's speakers, or connect Luxe LP's RCA outputs to a stereo system or powered speakers. Do **not** connect them to phono-level inputs; Luxe LP's RCA outputs are line-level and could damage a device with phono-level inputs.

Troubleshooting

If you experience any difficulties, please refer to the troubleshooting steps below as well as those in the EZ Vinyl/Tape Converter manual.

If you are recording to a computer:

- Make sure that Luxe LP is powered on and that the needle is on the record.
- Make sure Luxe LP is selected as your computer's default recording device (see the instructions below).
- If you are listening through your computer's speakers, make sure those speakers are selected as your computer's default playback device (see the instructions below). Alternatively, you can use Bluetooth or the RCA Outputs to connect Luxe LP to a stereo system or powered speakers. Do **not** connect the RCA Outputs to phono-level inputs; Luxe LP's RCA outputs are line-level and could damage a device with phono-level inputs.

Note: The RCA outputs monitor the signal coming out of the turntable, not the signal coming from your computer.

- Disconnect then reconnect the USB cable connecting Luxe LP to your computer.

I'm not hearing any audio when playing music:

- If you are playing music from **vinyl**:
 - o Make sure that Luxe LP is powered on and that the needle is on the record.
 - o Use Bluetooth or the RCA Outputs to connect Luxe LP to a stereo system or powered speakers. Do **not** connect the RCA Outputs to phono-level inputs; Luxe LP's RCA outputs are line-level and could damage a device with phono-level inputs.
- If you are playing music from your **computer**:
 - o Make sure your software music player's volume is turned up.
 - o Make sure your computer's volume is turned up.
 - o Make sure your computer's speakers are selected as your computer's default playback device (see the instructions below). (Luxe LP cannot be used as a playback device for your computer's audio.)

I am hearing a hum through my speaker or laptop when using the turntable:

- If you are recording to a laptop:
 - o Please connect the laptop to a grounded power supply (3 prong)
- If you are playing through a speaker:
 - o Please connect to a grounded (3 prong) power supply.

My record is not playing at the correct speed; its pitch is too high or too low:

- Ensure the **33 / 45 / 78 switch** is set to the correct speed for your record.

The Bluetooth speaker that I want is not pairing to Luxe LP.

- Turn off or move other nearby Bluetooth speakers over 30' (9.1m) away.

I am connected to a Bluetooth speaker but do not hear any audio.

- Use the **Bluetooth Volume** knob on Luxe LP to turn up the Bluetooth output level.
- If you are connected to a Bluetooth speaker with a play button, try pressing the play button. Alternatively, try pressing the Bluetooth button on Luxe LP.
- Press and hold Luxe LP's Bluetooth button to disconnect it from the Bluetooth speaker. Then press and release the Bluetooth button to pair again.
- Turn Luxe LP off and then on again, and then press its Bluetooth button to pair again.

My smartphone will not connect to Luxe LP Turntable.

- Luxe LP Turntable acts as a Bluetooth Transmitter, sending the audio out of Luxe LP into other Bluetooth Speakers. Luxe LP Turntable cannot act as a Bluetooth Receiver and play music from your smartphone over headphones or RCA outputs.

The Bluetooth LED will not stop blinking.

- Once the Bluetooth button is pressed, Luxe LP will try to connect to nearby Bluetooth speakers for 1 minute. To stop the blinking Bluetooth LED, power cycle Luxe LP.

I am hearing an echo when listening to music.

- Either listen to music through a paired Bluetooth speaker **or** connect the RCA audio outputs from Luxe LP to a speaker. Both playback methods should not be used at the same time.

I am hearing static noise in my headphones.

- Press Luxe LP's Bluetooth button to disconnect it from a paired Bluetooth speaker. When listening to Luxe LP with headphones, always make sure Luxe LP is not connected to a Bluetooth speaker at the same time.

Setting Luxe LP as the Default Recording Device

- **Windows XP:** Click **Start Menu ► Control Panel** (or Settings ► Control Panel in Classic View) ► **Sound and Audio Devices**. Click the **Audio** tab and under **Sound recording**, select **USB PnP Audio Device** as the default device.
- **Windows Vista:** Click **Start Menu ► Control Panel** (or Settings ► Control Panel in Classic View) ► **Hardware and Sound ► Sound**. Click the **Recording** tab and select USB PnP Audio Device as the default device.
- **Windows 7:** Click **Start Menu ► Control Panel ► Sound**. Click the **Recording** tab and select **USB PnP Audio Device** as the default device.
- **Windows 8:** From the **Start** Menu, click the lower-left corner of the screen to bring yourself to the Desktop.

In the bottom-right corner of the Taskbar, locate the Volume Control "Speaker" icon. Right-click the speaker and select **Playback Devices**. In the **Windows Sound** control panel select the **Recording** tab.

If **USB PnP Audio Device** does not have a green "check mark" symbol next to it, right-click it and select "Set as Default Device".

- **macOS:** Click the upper-left "apple" icon then click **System Preferences ► Sound**. Click the **Input** tab. From the menu, select **USB PnP Audio Device** as the device.

Setting Your Computer's Soundcard as the Default Playback Device

- **Windows XP:** Click **Start Menu ▶ Control Panel** (or **Settings ▶ Control Panel in Classic View ▶ Sound and Audio Devices**). Click the **Audio** tab and under **Sound playback**, select your computer's soundcard as the default device.
- **Windows Vista:** Click **Start Menu ▶ Control Panel** (or **Settings ▶ Control Panel in Classic View ▶ Hardware and Sound ▶ Sound**). Click the **Playback** tab and select your computer's soundcard as the default device.
- **Windows 7:** Click **Start Menu ▶ Control Panel ▶ Sound**. Click the **Playback** tab and select your computer's soundcard as the default device.
- **Windows 8:** From the **Start** menu, click the lower-left corner of the screen to bring yourself to the Desktop.
In the bottom-right corner of the Taskbar, locate the Volume Control "Speaker" icon. Right-click the speaker and select **Playback Devices**. The **Windows Sound** control panel should appear set on the **Playback** tab.
If your computer's soundcard does not have a green "check mark" symbol next to it, right-click it and select "Set as Default Device".
- **macOS:** Click the upper-left "apple" icon then click **System Preferences ▶ Sound**. Click the **Output** tab. From the menu, select **Internal Speakers** if you are using the computer's internal speakers or select **Headphones** if you are using speakers or headphones attached to the computer's 1/8" headphone output.

BEFORE RETURNING THE PRODUCT, please contact ION Audio for technical support at ionaudio.com/support

Guía de usuario (Español)

Introducción

Gracias por comprar el Luxe LP. En ION, su entretenimiento es tan importante para nosotros como para usted. Por eso es que diseñamos nuestros productos con una sola cosa en mente—hacer que su vida sea más divertida y cómoda.

Contenido de la caja

Luxe LP	Adaptador para 45 RPM
Adaptador de alimentación	Cable USB
Cubierta antipolvo	Guía de inicio rápido
Alfombrilla antideslizante de fieltro	Manual sobre la seguridad y garantía

Importante: Visite ionaudio.com para descargar el software EZ Vinyl/Tape Converter gratis.

Soporte

Para obtener la información más reciente acerca de este producto (documentación, especificaciones técnicas, requisitos de sistema, información de compatibilidad, etc.) y registrarlo, visite ionaudio.com.

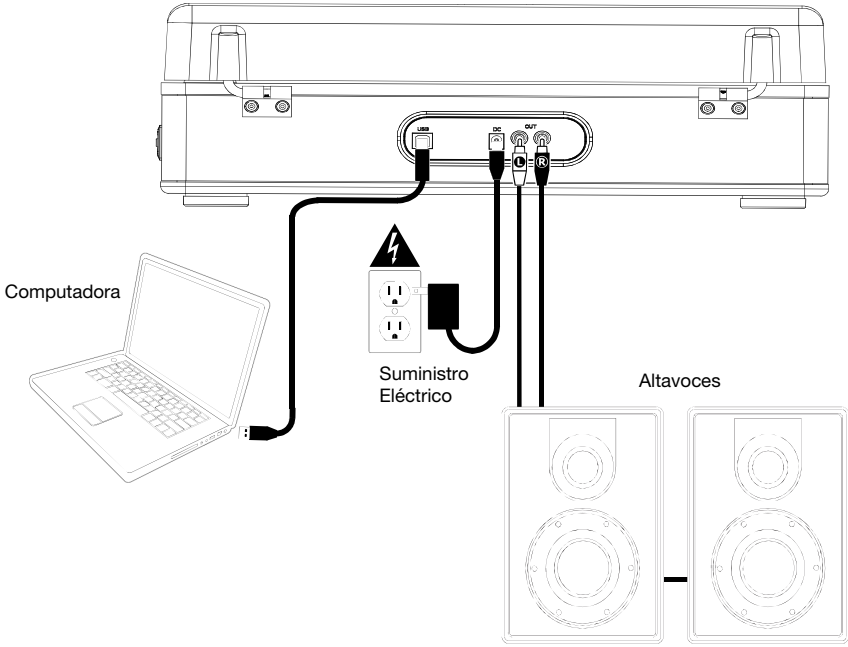
Para obtener soporte adicional del producto, visite ionaudio.com/support.

Instalación

1. Coloque la unidad sobre una superficie estable y nivelada alejada de todo campo magnético fuerte.
2. Levante la tapa del gabinete para acceder al giradiscos.
3. Retire la cubierta plástica de la púa de la cápsula.
4. Retire el precinto utilizado para sujetar el brazo de lectura durante el envío.
5. **Opcional:** Conecte un dispositivo de salida a la **salida de línea** en dispositivo de entrada a la **entrada auxiliar**.
6. **Opcional:** Use el cable USB incluido para conectar el giradiscos a su computadora. La conexión USB envía audio desde el giradiscos a su computadora.
7. Conecte este cable de corriente a una toma de corriente disponible.
8. Gire la perilla **Volumen/Encendido** para encender la unidad.

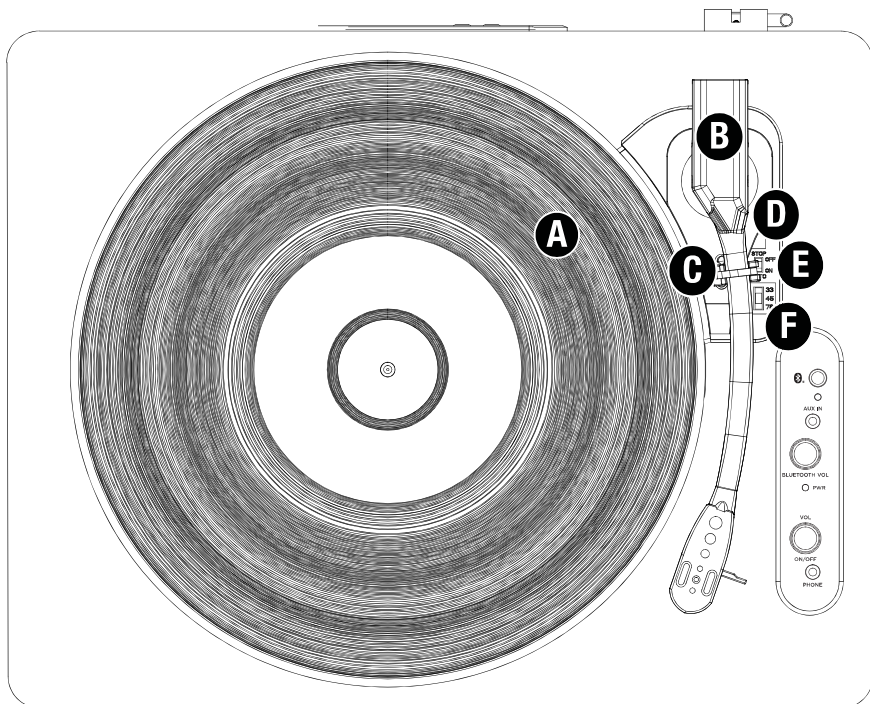
Diagrama de conexión

Los elementos que no se enumeran en [Introducción > Contenido de la caja](#) se venden por separado.



Características

Panel superior

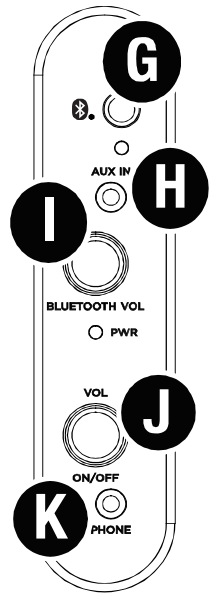


- A. **Plato:** Coloque aquí su disco.
- B. **Brazo:** Siga el surco en un disco de vinilo.
- C. **Clip del brazo:** Este clip diseñado especialmente fija el brazo mientras está en reposo o no se usa. El clip ha sido diseñado para que permanezca hacia arriba mientras está desbloqueado.
- D. **Palanca de subir / bajar:** Sube y baja el brazo.
- E. **Interruptor de parada automática:** Este interruptor activa y desactiva la parada automática. Cuando la parada automática está activada, el plato comienza a girar cuando el brazo se coloca sobre el disco y se detiene cuando llega al final del mismo. (Si está desactivada, el plato gira siempre, independientemente de la posición del brazo.)
- F. **Conmutador de 33 / 45 / 78 RPM:** Este conmutador controla las RPM del plato del giradiscos.

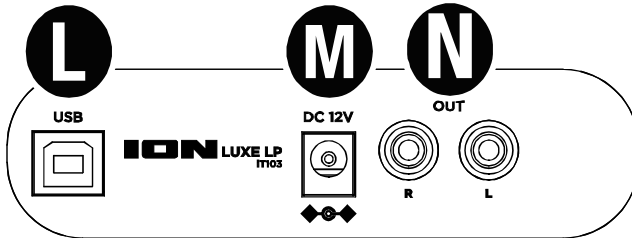
Nota: Para obtener los mejores resultados al reproducir discos de vinilo de 78 RPM, use una púa para 78 (que se vende por separado). Use sólo una púa para 78 con los discos de vinilo de 78 RPM. Adquiera la púa para 78 en ionaudio.com.

Panel UI

- G. **Botón Bluetooth:** Pulse este botón para comenzar el apareamiento Bluetooth. El LED parpadea cuando se está apareando con un dispositivo Bluetooth y permanece encendido permanentemente una vez totalmente apareado. Si tras 1 minuto no puede encontrarse ningún altavoz Bluetooth con el cual aparearse, el transmisor Bluetooth se desactivará y el LED se apagará. Si está actualmente conectado a un altavoz Bluetooth, mantenga pulsado este botón para desconectar del altavoz.
 - H. **Entrada auxiliar:** Conecte a esta entrada auxiliar estéreo de 1/8 pulg. un reproductor de CD, un reproductor de medios digitales u otra fuente de audio. El audio proveniente de la entrada Aux también se transmite por la conexión Bluetooth.
 - I. **Volumen de Bluetooth:** Esta perilla se utiliza para ajustar el volumen de un altavoz Bluetooth conectado.
 - J. **Volumen/Encendido:** Esta perilla se usa para encender el Luxe LP y para ajustar el volumen. Para encender o apagar el Luxe LP, simplemente gire la perilla. Sentirá un clic cuando el Luxe LP se encienda. Para ajustar el volumen, gire la perilla a la izquierda o a la derecha.
- CONSEJO:** Debido a la naturaleza de Bluetooth, la salida del altavoz de Luxe LP y la salida del altavoz Bluetooth no estarán sincronizadas. Baje este volumen cuando transmita a un altavoz Bluetooth.
- K. **Conector para auriculares:** Conecte auriculares (que se venden por separado) para escuchar sus discos de vinilo.



Panel trasero



- L. **Salida de audio USB:** Use el cable USB incluido para conectar el giradiscos a su computadora. La conexión USB envía audio desde el giradiscos a su computadora. Para obtener información, consulte la sección [Cómo usar el Luxe LP con su computadora](#).
- M. **Entrada del cavo de alimentación:** Use el adaptador incluido para conectarlo al tomacorriente de pared.
- N. **Salida RCA:** El audio del disco de vinilo que se está reproduciendo se aplica a esta salida de audio RCA de nivel de línea. Esta salida no debe conectarse a dispositivos de nivel fonográfico.

ADVERTENCIA: Las salidas RCA son para nivel de **LÍNEA**. Conéctelas sólo a las entradas de nivel de línea (LINE). Puede dañar el receptor si enchufa un dispositivo de nivel de línea en una entrada de nivel fonográfico (PHONO).

Funcionamiento

Reproducción

¡Hay 3 maneras de escuchar sus discos de vinilo con Luxe LP:

1. Puede conectar el Luxe LP a un altavoz Bluetooth. Consulte la sección [Apareamiento del Luxe LP con un altavoz Bluetooth](#) para más detalles.
2. Si prefiere usar sus propios altavoces estéreo, puede conectar las salidas RCA de Luxe LP a un sistema estéreo o a altavoces alimentados. No las conecte a entradas de nivel fonográfico—las salidas RCA del Luxe LP son de nivel de línea y podrían dañar un dispositivo con entradas de nivel fonográfico. (Cualquier otro tipo de entrada estándar, tal como CD, entrada Aux o Cinta, es aceptable).
3. Puede escuchar a través de los altavoces de su ordenador o auriculares conectados al mismo, una vez que el dispositivo de entrada de la placa de sonido de su ordenador se configure como **USB PnP Audio Device** (Dispositivo de audio USB PnP) o **USB Audio Device** (Dispositivo de audio USB), dependiendo de su sistema operativo Windows (**USB PnP Audio Device** para macOS) y de si está grabando y monitorizando con el software EZ Vinyl/Tape Converter o similar (el Luxe LP no puede utilizarse como dispositivo de reproducción para el audio de su ordenador). Consulte la sección [Cómo configurar la tarjeta de sonido de su computadora como dispositivo de reproducción predeterminado](#) para más detalles acerca de cómo configurar la reproducción del sonido.

Nota (solo para modelos europeos): El Luxe LP se apagará automáticamente tras 10 minutos si no se reproduce ningún audio.

Apareamiento del Luxe LP con un altavoz Bluetooth

El Luxe LP cuenta con un transmisor Bluetooth que transmite audio a un altavoz Bluetooth de forma inalámbrica.

1. Encienda su altavoz Bluetooth y asegúrese de que se encuentre en modo de apareamiento.
2. Encienda el giradiscos Luxe LP.
3. Pulse y suelte el **botón de Bluetooth** del Luxe LP para comenzar el apareamiento con su dispositivo Bluetooth. Una vez conectado con el altavoz Bluetooth, el **LED Bluetooth** del Luxe LP permanecerá iluminado. Su altavoz Bluetooth también debería indicar que está apareado.

Nota: Luxe LP se conectará con el altavoz Bluetooth más cercano. Si tras 20 minutos no puede encontrarse ningún altavoz Bluetooth con el cual aparearse, el transmisor Bluetooth se desactivará y el LED se apagará.

Nota: El alcance máximo se logra cuando se utilizan dispositivos con Bluetooth 4.0 o superior.

4. Reproduzca música en su giradiscos Luxe LP. Si está conectado con un altavoz Bluetooth y no escucha el audio, intente pulsar el botón reproducir en el altavoz Bluetooth o intente pulsar el **botón de Bluetooth** en el Luxe LP.
5. Ajuste el volumen de su altavoz Bluetooth (si aplica) con la **perilla de volumen** del Luxe LP para controlar el nivel de salida.
6. Para desconectar el apareamiento, mantenga pulsado el **botón de Bluetooth** en el Luxe LP, apague el giradiscos Luxe LP o apague el apareamiento Bluetooth en su altavoz Bluetooth.

Nota: Aleje otros receptores/altavoces Bluetooth fuera del alcance del Luxe LP (10 metros o más) para desconectarlos a fin de conectar su altavoz Bluetooth.

Cómo usar el Luxe LP con su computadora

Cómo grabar

Para grabar música en su ordenador, puede usar el EZ Vinyl/Tape Converter de ION y un cable USB. EZ Vinyl/Tape Converter guarda conveniente sus grabaciones en su computadora. Después de terminar de convertir su vinilo, puede quemarlo en CD o cargarlo en dispositivos de medios portátiles.

Visite ionaudio.com para descargar el software EZ Vinyl/Tape Converter gratis.

1. Con EZ Vinyl/Tape Converter instalado en su computadora, use el cable USB incluido para conectar el puerto USB del Luxe LP a un puerto USB disponible de su computadora.
2. En su computadora, puede abrir EZ Vinyl/Tape Converter yendo al **menú Start ► All Programs** (Inicio ► Todos los programas) (Windows) o al menú **Applications** (Aplicaciones) (macOS).
3. Siga las instrucciones de la pantalla para preparar su grabación. Cuando se le indique que reproduzca su música, lleve el brazo del Luxe LP sobre el disco para iniciar la reproducción.

Nota: Para escuchar el disco mientras se reproduce, óigalo por los altavoces de su computadora o conecte las salidas RCA del Luxe LP a un sistema estéreo o altavoces alimentados. **No** las conecte a entradas de nivel fonográfico—las salidas RCA del Luxe LP son de nivel de línea y podrían dañar un dispositivo con entradas de nivel fonográfico.

4. Cuando termine el disco, el brazo de lectura del Luxe LP volverá automáticamente al clip del brazo.

Visite ionaudio.com/computer-optimization para más información sobre la optimización de su computadora para audio.

Reproducción

Puede escuchar la música en su computadora a través de su altavoz interno o de auriculares conectados a la misma. (El Luxe LP no se puede usar como dispositivo de reproducción para el audio de su computadora.)

Para escuchar el **disco** mientras se reproduce, óigalo por altavoces Bluetooth, los altavoces de su computadora o conecte las salidas RCA del Luxe LP a un sistema estéreo o altavoces alimentados. **No** las conecte a entradas de nivel fonográfico—las salidas RCA del Luxe LP son de nivel de línea y podrían dañar un dispositivo con entradas de nivel fonográfico.

Solución de problemas

Si experimenta alguna dificultad, consulte los pasos de solución de problemas que se indican a continuación, como también el manual de EZ Vinyl/Tape Converter.

Si está grabando en una computadora:

- Asegúrese de que el Luxe LP esté encendido y que la púa esté sobre el disco.
- Haga que el Luxe LP esté seleccionado como dispositivo de grabación predeterminado de su computadora (consulte las instrucciones de más abajo).
- Si está escuchando por los altavoces de la computadora, asegúrese de que estos estén seleccionados como dispositivo de reproducción predeterminado de la misma (consulte las instrucciones de más abajo). Como alternativa, puede usar Bluetooth o las salidas RCA para conectar el Luxe LP a un sistema estéreo o a altavoces alimentados. **No** conecte las salidas RCA a entradas de nivel fonográfico—las salidas RCA del Luxe LP son de nivel de línea y podrían dañar un dispositivo con entradas de nivel fonográfico.

Nota: Las salidas RCA monitorean la señal proveniente del giradiscos y no la señal proveniente de su computadora.

- Desconecte y vuelva a conectar el cable USB entre el Luxe LP y la computadora.

No oigo ningún audio cuando reproduzco la música:

- Si está reproduciendo la música de un **vinilo**:
 - o Asegúrese de que el Luxe LP esté encendido y que la púa esté sobre el disco.
 - o Use Bluetooth o las salidas RCA para conectar el Luxe LP a un sistema estéreo o a altavoces alimentados. **No** conecte las salidas RCA a entradas de nivel fonográfico—las salidas RCA del Luxe LP son de nivel de línea y podrían dañar un dispositivo con entradas de nivel fonográfico.
- Si está reproduciendo la música de la **computadora**:
 - o Asegúrese de que el volumen del reproductor de música del software esté ajustado a un valor alto.
 - o Asegúrese de que el volumen de su computadora esté ajustado a un valor alto.
 - o Asegúrese de que los altavoces de su computadora estén seleccionados como dispositivo de reproducción predeterminado de la misma (consulte las instrucciones de más abajo). (El Luxe LP no se puede usar como dispositivo de reproducción para el audio de su computadora.)

Oigo un zumbido en mi altavoz o portátil cuando se usa el giradiscos:

- Si está grabando en una laptop:
 - o Conecte la laptop a un suministro eléctrico con conexión a tierra (de 3 patas).
- Si está reproduciendo por un altavoz:
 - o Conecte el equipo a un suministro eléctrico con conexión a tierra (de 3 patas).

Mi disco no se reproduce a la velocidad correcta. Su tono es demasiado alto o bajo:

- Asegúrese de que el interruptor 33 / 45 / 78 esté colocado en la velocidad correcta para su disco.

Mi altavoz Bluetooth no se aparea con el Luxe LP.

- Apague o aleje a más de 10 metros otros altavoces Bluetooth cercanos de forma que el más cercano sea el que desee aparearse.
- Pulse y suelte el botón de Bluetooth del Luxe LP para desconectarlo del altavoz Bluetooth, y luego púselo una vez más para intentar aparearlo nuevamente.
- Apague y vuelva a encender el Luxe LP, y luego pulse su botón Bluetooth para intentar aparearlo nuevamente.
- Utilice la perilla de volumen del Luxe LP para aumentar el nivel de salida de Bluetooth.

Estoy conectado con un altavoz Bluetooth pero no escucho ningún audio.

- Utilice la perilla de volumen del Luxe LP para aumentar el nivel de salida de Bluetooth.
- Si está conectado con un altavoz Bluetooth con un botón reproducir, intente pulsar dicho botón. Como alternativa, intente pulsar el botón de Bluetooth el Luxe LP.
- Mantenga pulsado el botón de Bluetooth del Luxe LP para desconectarlo del altavoz Bluetooth. Luego pulse y suelte el botón de Bluetooth para aparearlo nuevamente.
- Apague y vuelva a encender el Luxe LP, y luego pulse su botón Bluetooth para aparearlo nuevamente.

Mi teléfono inteligente (smartphone) no se conecta con el giradiscos Luxe LP.

- El giradiscos Luxe LP funciona como un transmisor Bluetooth, transmitiendo el audio desde el Luxe LP hacia otros altavoces Bluetooth. El Luxe LP no funciona como un receptor Bluetooth que reproduce música desde su teléfono inteligente como si fuera unos auriculares o salidas RCA.

El LED Bluetooth no para de parpadear.

- Una vez pulsado el botón Bluetooth, el Luxe LP intentará conectarse con los altavoces Bluetooth cercanos durante 1 minuto. Para detener el parpadeo del LED Bluetooth, reinicie el Luxe LP.

Escucho estática en mis auriculares.

- Pulse el botón Bluetooth del Luxe LP para desconectarlo del altavoz Bluetooth apareado. Al escuchar el Luxe LP con auriculares, siempre asegúrese de que el Luxe LP no esté conectado a un altavoz Bluetooth al mismo tiempo.

Cómo configurar el Luxe LP como dispositivo de grabación predeterminado

- **Windows XP:** Haga clic en el **menú Start ▶ Control Panel** (Inicio ▶ Panel de control (o Settings ▶ Control Panel (Configuración ▶ Panel de control) en la vista clásica) ▶ **Sound and Audio Devices** (Dispositivos de sonido y audio). Haga clic en la pestaña **Audio** y bajo **Sound recording** (Grabación de sonido), seleccione el **Dispositivo de audio USB PnP** como dispositivo predeterminado.
- **Windows Vista:** Haga clic en el **menú Start ▶ Control Panel** (Inicio ▶ Panel de control) (o Settings ▶ Control Panel (Configuración ▶ Panel de control) en la vista clásica) ▶ **Hardware and Sound ▶ (Hardware y sonido) Sound** (Sonido). Haga clic en la pestaña **Recording** (Grabación) y seleccione el **Dispositivo de audio USB PnP** como dispositivo predeterminado.
- **Windows 7:** Haga clic en el **menú Start ▶ Control Panel ▶ Sound** (Inicio ▶ Panel de control ▶ Sonido). Haga clic en la pestaña **Recording** (Grabación) y seleccione el **Dispositivo de audio USB PnP** como dispositivo predeterminado.
- **Windows 8:** Desde el menú **Start** (Inicio), haga clic en la esquina inferior izquierda de la pantalla para entrar al escritorio. En la esquina inferior derecha de la barra de tareas, localice el icono del "Altavoz" de control de volumen. Haga clic derecho en el altavoz y seleccione **Playback Devices** (Dispositivos de reproducción).

En el panel de control **Windows Sound** (Sonido de Windows), seleccione la pestaña **Recording** (Grabación). Si **Dispositivo de audio USB PnP** no tiene el símbolo de la "marca de verificación" verde junto a él, haga clic derecho en el mismo y seleccione **Set as Default Device** (Configurar como dispositivo predeterminado).

- **macOS:** Haga clic en el icono superior izquierdo de la "manzana" y luego en **System Preferences ▶ Sound** (Preferencias del sistema ▶ Sonido). Haga clic en la pestaña **Input** (Entrada). En el menú, seleccione el **Dispositivo de audio USB PnP** como dispositivo.

Cómo configurar la tarjeta de sonido de su computadora como dispositivo de reproducción predeterminado

- **Windows XP:** Haga clic en el **menú Start ▶ Control Panel** (Inicio ▶ Panel de control (o Settings ▶ Control Panel (Configuración ▶ Panel de control) en la vista clásica) ▶ **Sound and Audio Devices** (Dispositivos de sonido y audio). Haga clic en la pestaña **Audio** y bajo **Sound playback** (Reproducción de sonido), seleccione la tarjeta de sonido de su computadora como dispositivo predeterminado.
- **Windows Vista:** Haga clic en el **menú Start ▶ Control Panel** (Inicio ▶ Panel de control) (o Settings ▶ Control Panel (Configuración ▶ Panel de control) en la vista clásica) ▶ **Hardware and Sound ▶ Sound** (Sonido). Haga clic en la pestaña **Playback** (Reproducción) y seleccione la tarjeta de sonido de su computadora como dispositivo predeterminado.
- **Windows 7:** Haga clic en el **menú Start ▶ Control Panel ▶ Sound** (Inicio ▶ Panel de control ▶ Sonido). Haga clic en la pestaña **Playback** (Reproducción) y seleccione la tarjeta de sonido de su computadora como dispositivo predeterminado.
- **Windows 8:** Desde el **menú Start** (Inicio), haga clic en la esquina inferior izquierda de la pantalla para entrar al escritorio. En la esquina inferior derecha de la barra de tareas, localice el icono del "Altavoz" de control de volumen. Haga clic derecho en el altavoz y seleccione **Playback Devices** (Dispositivos de reproducción).

El panel de control **Windows Sound** (Sonido de Windows) debe aparecer ubicado en la pestaña **Playback** (Reproducción). Si la tarjeta de sonido de su computadora no tiene el símbolo de la "marca de verificación" verde junto a ella, haga clic derecho en la misma y seleccione **Set as Default Device** (Configurar como dispositivo predeterminado).

- **macOS:** Haga clic en el icono superior izquierdo de la "manzana" y luego en **System Preferences ▶ Sound** (Preferencias del sistema ▶ Sonido). Haga clic en la pestaña **Output** (Salida). En el menú, seleccione **Internal Speakers** (Altavoces internos) si va a usar los altavoces internos de la computadora o **Headphones** (Auriculares) si va a usar altavoces o auriculares conectados a la salida para auriculares de 3,5 mm de la computadora.

ANTES DE DEVOLVER EL PRODUCTO, comuníquese con ION Audio para solicitar soporte técnico a ionaudio.com/support.

Guide d'utilisation (Français)

Présentation

Merci d'avoir fait l'acquisition le Luxe LP. Chez ION, votre divertissement est aussi important pour nous qu'il l'est pour vous. C'est pourquoi nous concevons nos produits avec une seule chose en tête — rendre la vie plus amusante et plus pratique.

Contenu de la boîte

Luxe LP	Adaptateur 45 t/min
Adaptateur d'alimentation	Câble USB
Couvercle de protection	Guide d'utilisation rapide
Tapis en feutre	Consignes de sécurité et informations concernant la garantie

Important : Visitez ionaudio.com afin de télécharger le logiciel EZ Vinyl/Tape Converter gratuit.

Assistance

Pour les toutes dernières informations concernant la documentation, les spécifications techniques, la configuration requise, la compatibilité et l'enregistrement du produit, veuillez visiter ionaudio.com.

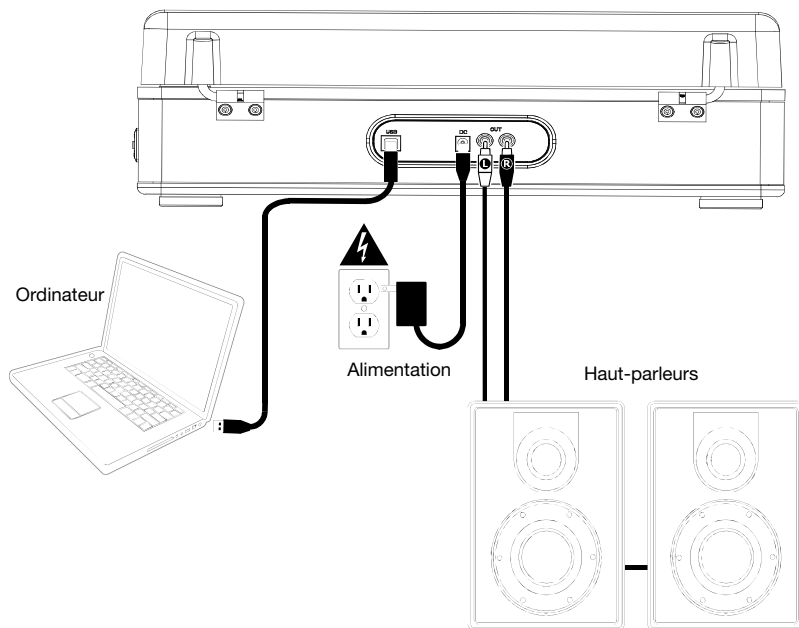
Pour de l'assistance supplémentaire, veuillez visiter ionaudio.com/support.

Démarrage

1. Placez l'appareil sur une surface plane, stable, loin des champs magnétiques intenses.
2. Soulevez le couvercle pour accéder à la platine vinyle.
3. Retirez le protège-pointe de lecture de la cartouche.
4. Retirez l'attache utilisée pour sécuriser le bras de lecture sur le support.
5. **Facultatif :** Branchez un appareil de sortie à la **sortie ligne** et un appareil d'entrée à l'**entrée auxiliaire**.
6. **Facultatif :** Utilisez le câble USB inclus pour brancher la platine tourne-disque à un ordinateur. La connexion USB permet d'acheminer l'audio de la platine tourne disque à votre ordinateur.
7. Branchez le câble d'alimentation dans une prise secteur.
8. Appuyez sur la **Bouton d'alimentation/Volume** pour mettre l'appareil sous tension.

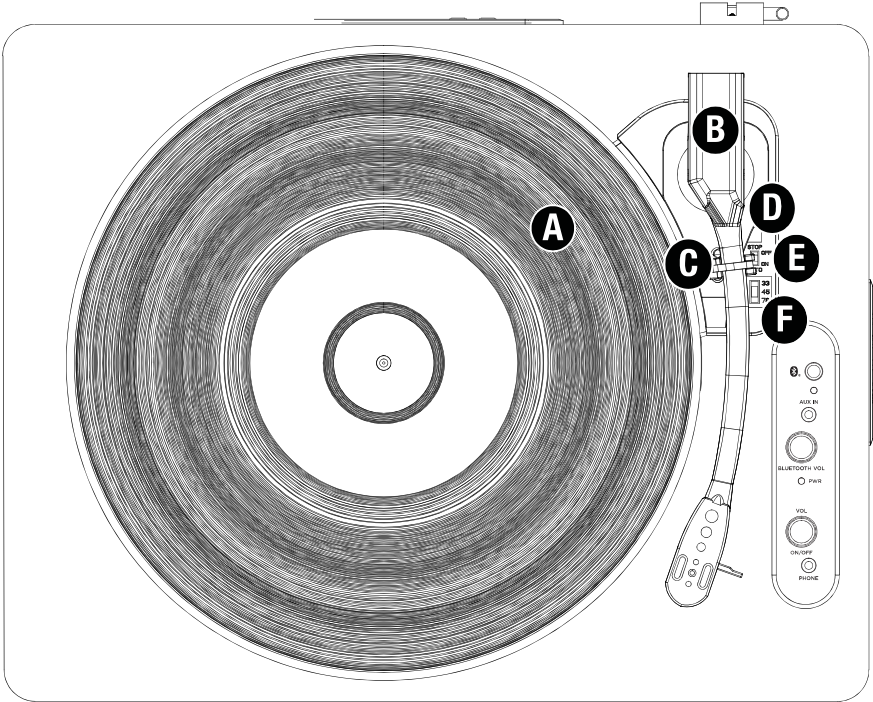
Schéma de connexion

Les éléments qui ne figurent pas dans le [Présentation > Contenu de la boîte](#) sont vendus séparément.



Caractéristiques

Panneau supérieur

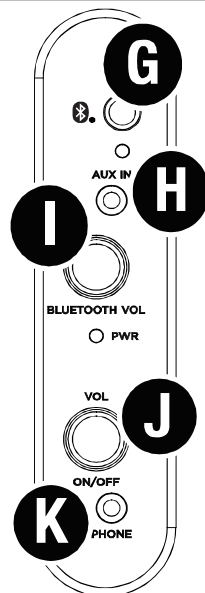


- A. **Plateau** : Veuillez placer le disque sur ce plateau.
- B. **Bras de lecture** : Le bras de lecture peut capter les rainures dans les disques vinyles.
- C. **Serre-bras** : Ce serre bras est conçu spécialement afin de maintenir en place le bras de lecture lorsque la platine n'est pas utilisée. Le serre-bras a été conçu pour rester en position élevée lorsqu'il est déverrouillé.
- D. **Levier de commande** : Permet de lever ou d'abaisser le bras de lecture.
- E. **Autostop** : Ce commutateur permet d'activer et de désactiver la fonction autostop. Lorsqu'elle est activée, le plateau commence à tourner dès que le bras de lecture est placé au-dessus du disque et s'arrête lorsque l'aiguille a atteint la fin du disque. (Lorsqu'elle est désactivée, le plateau tourne, peu importe l'emplacement du bras de lecture.)
- F. **Sélecteur de vitesse (33/45/78)** : Ce sélecteur régit la vitesse de rotation du plateau.

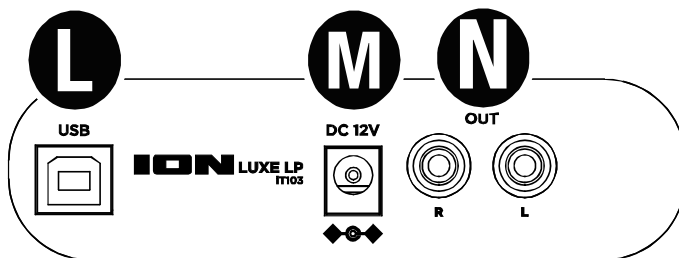
Remarque : Pour de meilleurs résultats lors de la lecture de disques vinyles de 78 tours, utilisez une pointe de lecture 78 (vendu séparément). Utilisez uniquement une pointe de lecture 78 pour les disques vinyles de 78 tours. Vous pouvez acheter une pointe de lecture 78 sur le site ionaudio.com.

Panneau UI

- G. **Touche Bluetooth** : Appuyez sur cette touche pour lancer le jumelage Bluetooth. La DEL clignote lors du processus de jumelage d'un appareil Bluetooth et demeure allumée une fois qu'il est connecté. Si après 1 minute, aucune enceinte Bluetooth n'est détectée, l'émetteur Bluetooth devient inactif et la DEL s'éteint. Lorsqu'une enceinte est déjà connectée, maintenez cette touche afin de supprimer la connexion Bluetooth.
- H. **Entrée auxiliaire** : Cette entrée stéréo 3,5 mm permet de brancher un lecteur de disques compacts, un lecteur multimédia ou autres sources audio. Le signal audio provenant de l'entrée auxiliaire est également transmis via une connexion Bluetooth.
- I. **Bluetooth Volume** : Ce bouton est utilisé pour régler le volume d'une enceinte Bluetooth connectée.
- J. **Bouton d'alimentation/Volume** : Ce bouton permet de mettre la Luxe LP sous tension et de régler le volume. Tournez simplement le bouton pour mettre sous tension. Vous sentirez un clic lorsque le Luxe LP s'allumera. Tourner le bouton vers la gauche et la droite permet de régler le volume.
- ASTUCE** : En raison de la nature de Bluetooth, la sortie du haut-parleur du Luxe LP et la sortie de l'enceinte Bluetooth seront désynchronisées. Baissez ce volume lors de la transmission vers une enceinte Bluetooth.
- K. **Sortie casque** : Branchez un casque d'écoute (vendus séparément) pour écouter l'audio provenant du disque vinyle.



Panneau arrière



- L. **Sortie audio USB** : Utilisez le câble USB inclus pour brancher la platine tourne-disque à un ordinateur. La connexion USB permet d'acheminer l'audio de la platine tourne disque à votre ordinateur. Visitez ionaudio.com/ez-converter afin de télécharger le logiciel EZ Vinyl/Tape Converter gratuit.
- M. **Entrée du câble d'alimentation** : Utilisez le câble d'alimentation inclus pour brancher le Luxe LP dans une prise d'alimentation.
- N. **Sortie RCA** : L'audio provenant du disque vinyle est envoyé à cette sortie audio RCA à niveau ligne. Elle ne doit pas être branchée aux appareils phono.

MISE EN GARDE : Les sorties RCA sont à niveau ligne. Veuillez ne les brancher à des entrées à niveau ligne. Vous pourriez endommager votre récepteur si un appareil À NIVEAU LIGNE est branché à une entrée PHONO.

Fonctionnement

Lecture

Il y a 3 façons d'écouter les disques vinyles avec Luxe LP :

1. Vous pouvez relier la Luxe LP à une enceinte Bluetooth. Veuillez consulter la section [Jumelage de la platine vinyle Luxe LP à une enceinte Bluetooth](#) pour plus de détails.
2. Si vous préférez utiliser vos propres enceintes stéréo, branchez les sorties RCA du Luxe LP à un système stéréo ou à des enceintes amplifiées. (Ne tentez pas de les brancher à des entrées phono, car les sorties RCA du Luxe LP sont à niveau ligne et cela pourraient endommager un appareil phono (tout autre type d'entrée standard, comme CD, auxiliaire et cassette est acceptable).
3. Une fois que le périphérique d'entrée de la carte son de votre ordinateur a été défini sur *Périphérique audio USB PnP* ou *Périphérique audio USB*, selon votre système d'exploitation Windows (Périphérique audio USB sur Mac OS X), vous pouvez écouter le signal audio que vous contrôlez-enregistrez en utilisant le EZ Vinyl/Tape Converter ou un logiciel similaire par le biais de vos haut-parleurs d'ordinateur (ou un casque relié à votre ordinateur). Le Luxe LP ne peut être utilisé comme périphérique de lecture audio pour votre ordinateur. Veuillez consulter la section [Configuration de la carte son de l'ordinateur comme périphérique de lecture audio par défaut](#) pour plus de détails.

Remarque (uniquement aux modèles européens) : La Luxe LP se met automatiquement hors tension lorsqu'aucun signal audio ne joue durant plus de 10 minutes.

Jumelage de la platine vinyle Luxe LP à une enceinte Bluetooth

La platine vinyle Luxe LP dispose d'un émetteur Bluetooth afin de transmettre le signal audio sans fil vers une enceinte Bluetooth.

1. Mettez l'enceinte Bluetooth sous tension et assurez-vous qu'elle est en mode jumelage.
2. Mettez la platine vinyle Luxe LP sous tension.
3. Enfoncez puis relâchez la touche Bluetooth de la platine vinyle Luxe LP afin de jumeler votre appareil Bluetooth. Lorsque la platine vinyle Luxe LP est connectée à l'enceinte Bluetooth, la DEL Bluetooth devient bleue. Votre enceinte Bluetooth devrait également indiquer qu'elle est connectée.

Remarque : La platine vinyle Luxe LP se connecte à l'enceinte Bluetooth la plus proche. Si après 20 minutes, aucune enceinte Bluetooth n'est détectée, l'émetteur Bluetooth devient inactif et la DEL s'éteint.

Remarque : La plage maximale peut être atteinte avec l'utilisation d'appareils dotés de Bluetooth 4.0 ou de versions ultérieures.

4. Lancez la lecture de la musique sur la platine vinyle Luxe LP. Si la platine est connectée à une enceinte Bluetooth, et que vous n'entendez pas de signal audio, essayez d'appuyer sur la touche lecture de l'enceinte Bluetooth ou sur la touche Bluetooth de la platine vinyle Luxe LP.
5. Réglez le volume sur l'enceinte Bluetooth (s'il y lie), ou le bouton Volume de la platine Luxe LP afin d'ajuster le niveau de sortie.
6. Pour supprimer la connexion, maintenez la touche Bluetooth de la platine vinyl Luxe LP, mettez la platine Luxe LP hors tension ou désactivez le mode jumelage Bluetooth sur l'enceinte Bluetooth.

Remarque : Déplacez les autres récepteurs/enceintes Bluetooth hors de la portée de la platine Luxe LP (9,1 m ou plus) ou les mettre hors tension afin de connecter votre enceinte Bluetooth.

Utilisation du Luxe LP avec un ordinateur

Enregistrement

Pour enregistrer de la musique sur votre ordinateur, vous pouvez utiliser l'application EZ Vinyl/Tape Converter d'ION et un câble USB. Le EZ Vinyl/Tape Converter permet de sauvegarder vos enregistrements dans sur votre ordinateur. Une fois la conversion du vinyle terminée, vous pouvez graver les fichiers sur CD ou les transférer sur des lecteurs multimédia.

Visitez ionaudio.com afin de télécharger le logiciel EZ Vinyl/Tape Converter gratuit.

1. Une fois l'application EZ Vinyl/Tape Converter installée sur votre ordinateur, connectez le port USB du Luxe LP au port USB de votre ordinateur à l'aide du câble USB inclus.
2. Sur votre ordinateur, vous pouvez lancer l'application EZ Vinyl/Tape Converter en allant dans le menu **Démarrer ▶ Tous les programmes** (Windows) ou dans le menu **Applications** (Mac).
3. Suivez ensuite les instructions à l'écran afin de configurer l'enregistrement. Lorsque vous êtes invité à faire jouer votre musique, déplacez le bras de lecture du Luxe LP sur le disque afin de démarrer la lecture.

Remarque : Pour écouter un disque durant la lecture, vous pouvez utiliser enceintes Bluetooth, utiliser les haut-parleurs de votre ordinateur, ou encore brancher les sorties RCA du Luxe LP à une chaîne stéréo ou à des haut-parleurs. **Ne tentez pas** de les brancher à des entrées phono; les sorties RCA du Luxe LP sont à niveau ligne et pourraient endommager un appareil phono.

4. Lorsque le bras de lecture de la Luxe LP atteint le centre du disque, il retourne automatiquement sur son support.

Visitez le site ionaudio.com/computer-optimization afin obtenir plus d'information sur comment optimiser votre ordinateur pour une meilleure qualité audio.

Lecture

Vous pouvez écouter de la musique sur votre ordinateur par l'intermédiaire de ses haut-parleurs internes ou en branchant un casque d'écoute. (Le Luxe LP ne peut être utilisé comme périphérique de lecture pour votre ordinateur.)

Pour écouter un **disque** durant la lecture, vous pouvez utiliser enceintes Bluetooth, utiliser les haut-parleurs de votre ordinateur, ou encore brancher les sorties RCA du Luxe LP à une chaîne stéréo ou à des haut-parleurs. **Ne tentez pas** de les brancher à des entrées phono; les sorties RCA du Luxe LP sont à niveau ligne et pourraient endommager un appareil phono.

Guide de dépannage

Si vous éprouvez des difficultés, veuillez consulter les consignes de dépannage ci-dessous ainsi que celles dans le guide du EZ Vinyl/Tape Converter.

Si vous enregistrez sur un ordinateur :

- Assurez-vous que le Luxe LP est allumé et que l'aiguille est bien sur le disque.
- Assurez-vous que le Luxe LP est sélectionné comme périphérique d'enregistrement par défaut de votre ordinateur (voir les instructions ci-dessous).
- Si vous écoutez la musique via les haut-parleurs de votre ordinateur, assurez-vous que ces haut-parleurs sont sélectionnés comme dispositif de lecture par défaut de votre ordinateur (voir les instructions ci-dessous). Vous pourriez également utiliser la connexion Bluetooth ou les sorties RCA pour relier la Luxe LP à une chaîne stéréo ou à des enceintes amplifiées. **Ne tentez pas** de brancher les sorties RCA à des entrées phono ; les sorties RCA du Luxe LP sont à niveau ligne et pourraient endommager un appareil phono.

Remarque : Les sorties RCA contrôlent le signal sortant de la platine tourne-disque, mais pas le signal provenant de votre ordinateur.

- Essayez de débrancher le câble USB branché au Luxe LP et à votre ordinateur, puis de le rebrancher.

Je n'entends pas de signal audio lors de la lecture :

- Si vous faites la lecture à partir d'un **vinyle** :
 - o Assurez-vous que le Luxe LP est allumé et que l'aiguille est bien sur le disque.
 - o Utilisez la connexion Bluetooth ou les sorties RCA pour relier la Luxe LP à une chaîne stéréo ou à des enceintes amplifiées. **Ne tentez pas** de brancher les sorties RCA à des entrées phono ; les sorties RCA du Luxe LP sont à niveau ligne et pourraient endommager un appareil phono.
- Si vous faites la lecture à partir de votre **ordinateur** :
 - o Assurez-vous que le niveau du volume de l'application soit assez élevé.
 - o Assurez-vous que le niveau du volume de l'ordinateur soit assez élevé.
 - o Assurez-vous que les haut-parleurs de votre ordinateur soient sélectionnés comme dispositif de lecture par défaut de votre ordinateur (voir les instructions ci-dessous). (Le Luxe LP ne peut être utilisé comme périphérique de lecture pour votre ordinateur.)

Il y a un bourdonnement provenant de mon haut-parleur, ordinateur portable ou appareil iOS lorsque j'utilise la platine tourne-disque :

- Si vous enregistrez sur un ordinateur :
 - o Veuillez brancher l'ordinateur à un câble d'alimentation avec mise à la terre (3 broches).
- Si vous utilisez un haut-parleur :
 - o Veuillez brancher le haut-parleur à un câble d'alimentation avec mise à la terre (3 broches).

Mon disque ne joue pas à la bonne vitesse, la tonalité est trop haute ou trop basse :

- Veuillez vous assurer que le sélecteur de vitesse 33 / 45 / 78 est réglé sur la bonne vitesse pour votre enregistrement.

L'enceinte Bluetooth que je désire utiliser ne parvient pas à se connecter à la platine vinyle Luxe LP.

- Désactivez ou déplacez toutes les autres enceintes Bluetooth à plus de 9,1 m afin que seulement l'enceinte Bluetooth que vous souhaitez utiliser puisse se jumeler à la platine.
- Appuyez et relâchez le bouton Bluetooth de la platine Luxe LP pour supprimer la connexion à l'enceinte Bluetooth, puis réappuyez une fois de plus pour relancer le processus de jumelage.
- Éteignez la platine Luxe LP, puis rallumez-la et appuyez sur le bouton Bluetooth afin de relancer le processus de jumelage.
- Utilisez le bouton volume de la platine Luxe LP afin d'augmenter le niveau de sortie Bluetooth.

L'enceinte Bluetooth est connectée, mais il n'y a aucun signal audio.

- Utilisez le bouton volume de la platine Luxe LP afin d'augmenter le niveau de sortie Bluetooth.
- Si la platine est connectée à une enceinte Bluetooth dotée d'une touche lecture, essayez d'appuyer sur la touche lecture. Vous pourriez également essayer d'appuyer sur la touche Bluetooth de la platine vinyle Luxe LP.
- Maintenez le bouton Bluetooth de la platine Luxe LP pour supprimer la connexion à l'enceinte Bluetooth. Puis appuyez et relâchez le bouton Bluetooth pour relancer le processus de jumelage.
- Éteignez la platine Luxe LP, puis rallumez-la et appuyez sur le bouton Bluetooth afin de relancer le processus de jumelage.

Mon smartphone ne parvient pas à se connecter à la platine vinyle Luxe LP.

- La platine vinyle Luxe LP agit comme un émetteur Bluetooth en transmettant son signal vers d'autres enceintes Bluetooth. La platine vinyle Luxe LP ne peut agir comme récepteur et transmettre de la musique de votre smartphone vers un casque ou les sorties RCA.

La DEL Bluetooth ne cesse de clignoter.

- Une fois que vous appuyez sur la touche Bluetooth, la platine vinyle Luxe LP tente de se connecter aux enceintes Bluetooth à proximité pendant 1 minute. Pour arrêter le clignotement de la DEL Bluetooth, effectuez une remise sous tension de la platine vinyle Luxe LP.

Il y a de l'interférence dans le casque d'écoute.

- Appuyez sur le bouton Bluetooth de la platine Luxe LP pour supprimer la connexion à l'enceinte Bluetooth. Lorsque vous écoutez la musique de la platine Luxe LP avec un casque, veuillez vous assurer que la platine Luxe LP n'est pas connecté à une enceinte Bluetooth.

Configurez le Luxe LP comme l'appareil d'enregistrement par défaut

- **Windows XP** : Cliquez sur **Démarrer** ► **Panneau de configuration** (ou **Paramètres** ► **Panneau de configuration** en Affichage classique) ► **Sons et périphériques audio**. Cliquez sur l'onglet **Audio** et sous **Enregistrement audio** sélectionnez **Périphérique audio USB PnP** comme appareil par défaut.
- **Windows Vista** : Cliquez sur **Démarrer** ► **Panneau de configuration** (ou **Paramètres** ► **Panneau de configuration** en Affichage classique) ► **Matériel et audio** ► **Son**. Cliquez sur l'onglet **Enregistrement** et sélectionnez **Périphérique audio USB PnP** comme appareil par défaut.
- **Windows 7** : Cliquez sur **Démarrer** ► **Panneau de configuration** ► **Son**. Cliquez sur l'onglet **Enregistrement** et sélectionnez **Périphérique audio USB PnP** comme appareil par défaut.
- **Windows 8** : Dans le menu **Démarrer**, cliquez sur le coin inférieur gauche de l'écran pour afficher le bureau. Dans le coin inférieur droit de la barre des tâches, recherchez l'icône de la commande de volume « haut-parleur ». Faites un clic droit sur l'icône du haut-parleur et sélectionnez **Périphériques de lecture**.

Sélectionnez l'onglet **Enregistrement** dans le haut de la fenêtre du panneau de configuration **Son**. Si **Périphérique audio USB PnP** ne dispose pas d'un crochet, faites un clic droit et sélectionnez **Définir comme périphérique par défaut**.

- **macOS** : Cliquez sur la pomme (logo Apple) située dans le coin supérieur gauche de l'écran et sélectionnez **Préférences Système** ► **Sons**. Cliquez sur l'onglet **Entrée**. À partir du menu, sélectionnez **Périphérique audio USB PnP** comme appareil par défaut.

Configuration de la carte son de l'ordinateur comme périphérique de lecture audio par défaut

- **Windows XP** : Cliquez sur **Démarrer** ► **Panneau de configuration** (ou **Paramètres** ► **Panneau de configuration** en Affichage classique) ► **Sons et périphériques audio**. Cliquez sur l'onglet **Audio** et sélectionnez la carte son de l'ordinateur comme périphérique de lecture audio par défaut.
- **Windows Vista** : Cliquez sur **Démarrer** ► **Panneau de configuration** (ou **Paramètres** ► **Panneau de configuration** en Affichage classique) ► **Matériel et audio** ► **Son**. Cliquez sur l'onglet **Lecture** et sélectionnez la carte son de l'ordinateur comme périphérique de lecture audio par défaut.
- **Windows 7** : Cliquez sur **Démarrer** ► **Panneau de configuration** ► **Son**. Cliquez sur l'onglet **Lecture** et sélectionnez la carte son de l'ordinateur comme périphérique de lecture audio par défaut.
- **Windows 8** : Dans le menu **Démarrer**, cliquez sur le coin inférieur gauche de l'écran pour afficher le bureau. Dans le coin inférieur droit de la barre des tâches, recherchez l'icône de la commande de volume « haut-parleur ». Faites un clic droit sur l'icône du haut-parleur et sélectionnez **Périphériques de lecture**. L'onglet **Lecture** du panneau de configuration **Sons** doit apparaître comme étant configuré. Si la carte son de votre ordinateur ne dispose pas d'un crochet, faites un clic droit et sélectionnez **Définir comme périphérique par défaut**.
- **macOS** : Cliquez sur la pomme (logo Apple) située dans le coin supérieur gauche de l'écran et sélectionnez **Préférences Système** ► **Sons**. Cliquez sur l'onglet **Sortie**. À partir du menu, sélectionnez **Haut-parleurs internes** si vous utilisez les haut-parleurs internes de l'ordinateur, ou sélectionnez **Écouteurs** si vous utilisez des haut-parleurs ou un casque d'écoute branchés à la sortie casque (3,5 mm) de votre ordinateur.

AVANT DE RETOURNER CE PRODUIT, veuillez communiquer avec le service technique de ION Audio pour de l'assistance à ionaudio.com/support.

Guida per l'uso (Italiano)

Introduzione

Grazie per aver acquistato il Luxe LP. Per noi di ION, il tuo divertimento è importante quanto lo è per te. Ecco perché progettiamo i nostri dispositivi con un unico obiettivo in mente: rendere la tua vita più comoda e divertente.

Contenuti della confezione

Luxe LP	Adattatore 45 giri
Adattatore di alimentazione	Cavo USB
Coperchio antipolvere	Guida rapida
Tappetino in feltro	Istruzioni di sicurezza e garanzia

Importante: recarsi su ionaudio.com per scaricare il software EZ Vinyl/Tape Converter gratuito.

Assistenza

Per le ultime informazioni in merito a questo prodotto (documentazione, specifiche tecniche, requisiti di sistema, informazioni sulla compatibilità, ecc.) e per effettuare la registrazione, recarsi alla pagina ionaudio.com.

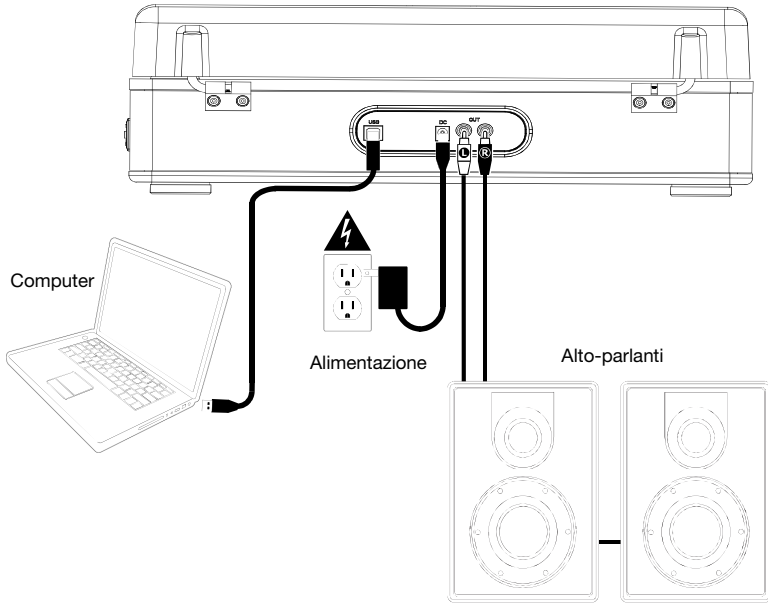
Per ulteriore assistenza sul prodotto, recarsi alla pagina ionaudio.com/support.

Configurazione

1. Collocare l'apparecchio su una superficie stabile e uniforme, lontano da campi magnetici forti.
2. Sollevare il coperchio dell'alloggiamento per accedere al giradischi.
3. Rimuovere il copripuntina in plastica dalla cartuccia.
4. Rimuovere il laccio utilizzato per fissare il braccio durante la spedizione.
5. **Opzione:** collegare un dispositivo di uscita all'**uscita di linea** e un dispositivo di ingresso all'**In Aux**.
6. **Opzione:** Servirsi del cavo USB in dotazione per collegare il giradischi al computer. Il collegamento USB invierà audio dal giradischi al computer.
7. Collegare il cavo di alimentazione a una presa di alimentazione disponibile.
8. Premere il manopola di **Volume/Power** per accendere l'apparecchio.

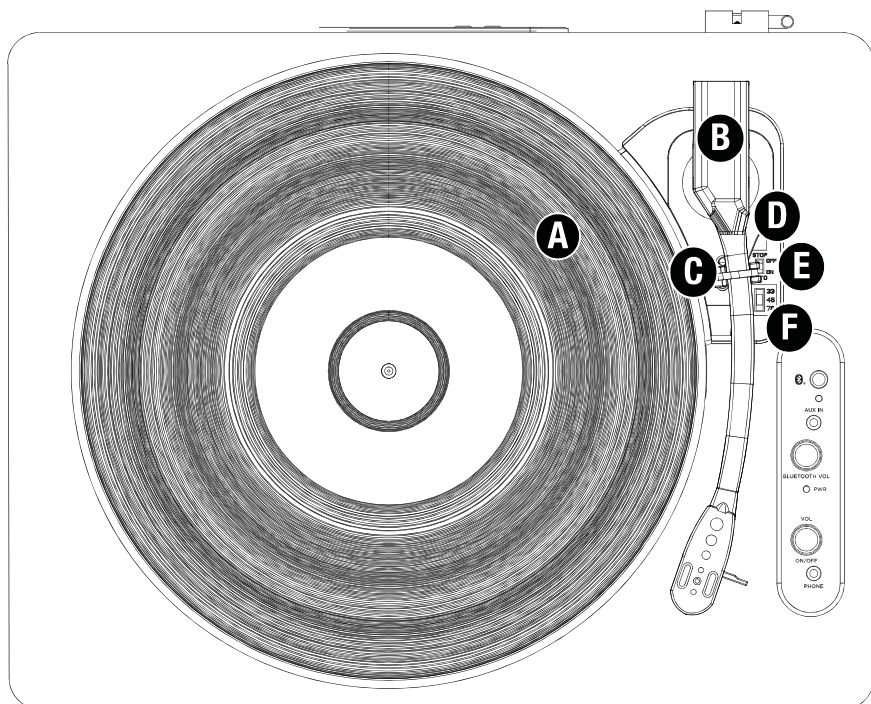
Schema dei collegamenti

Elementi non elencati sotto [Introduzione](#) > [Contenuti della confezione](#) sono venduti separatamente.



Caratteristiche

Pannello superiore

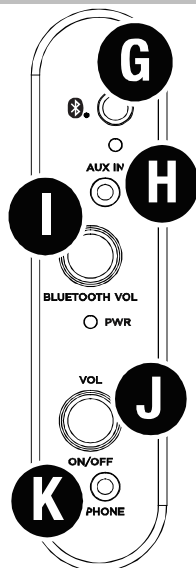


- A. **Piatto:** Il disco va collocato qui.
- B. **Braccio:** Traccia il solco in un disco in vinile.
- C. **Fermabraccio:** Questo fermabraccio dal design speciale fissa il braccio quando è a riposo o quando non è in uso. Il fermabraccio è stato progettato in modo da restare sollevato quando sbloccato.
- D. **Levetta di sollevamento / abbassamento:** Alza e abbassa il braccio.
- E. **Interruttore Autostop:** Accende o spegne la funzione "autostop". Quando la funzione "autostop" è attiva, il piatto inizia a girare quando il braccio è posato sul disco e smette di girare quando il disco arriva alla fine. Quando la funzione autostop è disattiva, il piatto continuerà a girare, indipendentemente dalla posizione del braccio.
- F. **Interruttore 33 / 45 / 78 giri:** Questo interruttore regola i GIRI del piatto del giradischi.

Nota bene: per i migliori risultati durante la riproduzione di dischi in vinile a 78 giri, servirsi di una puntina 78 (venduta separatamente). Servirsi unicamente di una puntina 78 con dischi in vinile a 78 giri. Acquistare la puntina 78 sulla pagina ionaudio.com.

Pannello UI

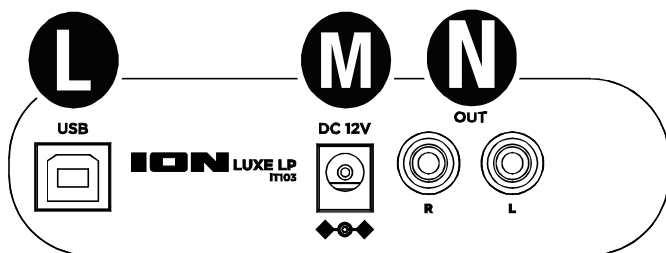
- G. **Tasto Bluetooth:** Premere questo tasto per avviare il collegamento Bluetooth. Il LED lampeggia durante il collegamento con un dispositivo Bluetooth e rimane fisso una volta collegato. Se dopo 1 minuto non è possibile individuare altoparlanti Bluetooth cui collegarsi, il trasmettitore Bluetooth diventerà inattivo e il LED si spegnerà. Se attualmente collegati ad un altoparlante Bluetooth, tenere premuto il tasto per scollegare il altoparlante.
- H. **Ingresso Aux:** questo ingresso stereo da 1/8 (3,5 mm) può essere utilizzato per collegare un lettore CD, un lettore MP3 o altre fonti audio.
- I. **Volume Bluetooth:** questa manopola serve a regolare il volume di un dispositivo Bluetooth collegato.
- J. **Volume/Power:** questa manopola viene utilizzata per accendere il Luxe LP e per regolarne il volume. Per accendere o spegnere il Luxe LP, girare la manopola. Sentirai un clic quando Luxe LP si accende. Per regolare il volume, girare la manopola a sinistra e a destra.



SUGGERIMENTO: a causa della natura del Bluetooth, l'uscita altoparlante della Luxe LP e l'uscita dell'altoparlante Bluetooth non saranno sincronizzate. Abbassa questo volume durante la trasmissione a un altoparlante Bluetooth.

- K. **Uscita cuffie:** Collegare le cuffie (vendute separatamente) a questo livello per ascoltare la riproduzione dei propri vinili

Pannello posteriore



- L. **Uscita Audio USB:** Servirsi del cavo USB in dotazione per collegare il giradischi al computer. Il collegamento USB invierà audio dal giradischi al computer. Recarsi su ionaudio.com/ez-converter per scaricare il software EZ Vinyl/Tape Converter gratuito.
- M. **Ingresso cavo di alimentazione:** Servirsi dell'adattatore in dotazione per collegarsi ad una presa a parete.
- N. **Uscita RCA:** L'audio di un vinile riprodotto è inviato a questa uscita audio RCA a livello di linea. Questa non va collegata a dispositivi a livello phono.

AVVERTENZA: le uscite RCA sono a livello di LINEA. Collegarle unicamente a ingressi a livello di LINEA. Si rischia di danneggiare il ricevitore collegando un dispositivo a livello di LINEA in un ingresso PHONO.

Operazione

Riproduzione

Ci sono 3 modi per ascoltare i propri dischi in vinile con il Luxe LP:

1. È possibile collegare il Luxe LP a un altoparlante Bluetooth. Si veda il paragrafo [Collegamento del Luxe LP a un altoparlante Bluetooth](#) per maggiori dettagli.
2. Se invece si preferisce utilizzare i propri altoparlanti stereo, è possibile collegare le uscite RCA del Luxe LP a un impianto stereo o agli altoparlanti non collegarli a ingressi a livello phono; le uscite RCA del Luxe LP sono a livello di linea e potrebbero danneggiare un dispositivo dotato di ingressi a livello phono (qualsiasi altro tipo di ingresso standard quale CD, Aux In o Tape è accettabile).
3. Si può procedere all'ascolto tramite gli altoparlanti del computer o con delle cuffie collegate al computer, una volta che il dispositivo di ingresso della scheda audio del computer è stato impostato su *USB PnP Audio Device* o *USB Audio Device*, a seconda del proprio sistema operativo Windows (USB PnP Audio Device su Mac OS X) e che si sta registrando-monitorando l'audio utilizzando l'EZ Vinyl/Tape Converter o un software simile (il Luxe LP non può essere utilizzato come dispositivo di riproduzione dell'audio del computer). Si veda il paragrafo [Configurazione della scheda audio del computer come dispositivo di riproduzione predefinito](#) per maggiori dettagli su come configurare la riproduzione audio.

Nota bene (unicamente per modelli europei): se non viene riprodotto alcun audio, il Luxe LP si spegnerà dopo 10 minuti.

Collegamento del Luxe LP a un altoparlante Bluetooth

Il Luxe LP dispone di un trasmettitore Bluetooth per l'invio di audio a un altoparlante Bluetooth senza fili.

1. Accendere l'altoparlante Bluetooth e assicurarsi che si trovi in modalità di collegamento.
2. Accendere il giradischi Luxe LP.
3. Premere e rilasciare il tasto Bluetooth sul Luxe LP per avviare il collegamento del dispositivo Bluetooth. Una volta collegato il Luxe LP all'altoparlante Bluetooth, il LED Bluetooth sarà blu fisso. L'altoparlante Bluetooth dovrebbe a sua volta indicare di essere collegato.

Nota bene: Il Luxe LP si collegherà all'altoparlante Bluetooth più vicino. Se dopo 20 minuti non è possibile individuare altoparlanti Bluetooth cui collegarsi, il trasmettitore Bluetooth diventerà inattivo e il LED si spegnerà.

Nota bene: la portata massima si ottiene servendosi di dispositivi dotati di Bluetooth 4.0 o superiore.

4. Riprodurre musica sul giradischi Luxe LP. Se si è collegati a un altoparlante Bluetooth e non si sente alcun audio, provare a premere il tasto play sul altoparlante Bluetooth o provare a premere il tasto Bluetooth sul Luxe LP.
5. Regolare il volume dell'altoparlante Bluetooth (se applicabile) o la manopola Volume sul Luxe LP per controllare il livello di uscita.
6. Per annullare il collegamento, tenere premuto il tasto Bluetooth sul Luxe LP, spegnere il giradischi Luxe LP o spegnere il collegamento Bluetooth sull'altoparlante Bluetooth.

Nota bene: spostare altri ricevitori/altoparlanti Bluetooth fuori dalla portata del Luxe LP (10 metri o più) o spegnerli per collegare l'altoparlante Bluetooth.

Uso di Luxe LP con il computer

Registrazione

Per registrare musica sul computer, è possibile utilizzare il programma ION EZ Vinyl/Tape Converter e un cavo USB. L'EZ Vinyl/Tape Converter salva comodamente le registrazioni sul computer. Una volta terminato di convertire il vinile, lo si può masterizzare su un CD o caricare su dispositivi media portatili.

Recarsi su ionaudio.com per scaricare il software EZ Vinyl/Tape Converter gratuito.

1. Una volta installato l'EZ Vinyl/Tape Converter sul computer, servirsi del cavo USB in dotazione per collegare la porta USB di Luxe LP ad una porta USB disponibile del computer.
2. Sul computer, è possibile aprire l'EZ Vinyl/Tape Converter recandosi su **Start ► Tutti i programmi** (Windows) o su **Applicazioni** (Mac).
3. Seguire le istruzioni su schermo per configurare la registrazione. Quando viene richiesto di riprodurre la musica, muovere il braccio di Luxe LP sul disco per iniziare la riproduzione.

Nota bene: per ascoltare un disco mentre viene riprodotto, servirsi altoparlanti Bluetooth o altoparlanti del computer o collegare le uscite RCA di Luxe LP a un impianto stereo o a delle casse. **Non** collegarle a ingressi a livello phono: le uscite RCA di Luxe LP sono a livello di linea e potrebbero danneggiare un dispositivo con ingressi a livello phono.

4. Quando il disco è finito, il braccio del Luxe LP tornerà automaticamente al fermabraccio.

Per maggiori informazioni su come ottimizzare il computer per l'audio, recarsi alla pagina ionaudio.com/computer-optimization.

Riproduzione

È possibile ascoltare la musica sul computer tramite l'altoparlante interno o tramite un paio di cuffie ad esso collegate (il Luxe LP non può essere utilizzato come dispositivo di riproduzione dell'audio del computer).

Per ascoltare un **disco** mentre viene riprodotto, servirsi altoparlanti Bluetooth o altoparlanti del computer o collegare le uscite RCA di Luxe LP a un impianto stereo o a delle casse. **Non** collegarle a ingressi a livello phono: le uscite RCA di Luxe LP sono a livello di linea e potrebbero danneggiare un dispositivo con ingressi a livello phono.

Risoluzione di problemi

In caso di problemi, fare riferimento alle fasi di risoluzione dei problemi indicate qui di seguito, nonché a quanto indicato nel manuale dell'EZ Vinyl/Tape Converter.

Se si sta registrando su un computer:

- Assicurarsi che il Luxe LP sia acceso e che la puntina sia sul disco.
- Assicurarsi che sia selezionato come periferica di registrazione predefinita del computer (si vedano le istruzioni qui di seguito).
- Se si ascolta tramite le casse del computer, assicurarsi che queste siano selezionate come periferica di riproduzione predefinita del computer (si vedano le istruzioni qui di seguito). Alternativamente, per collegare il Luxe LP a un impianto stereo o agli altoparlanti, è possibile utilizzare il Bluetooth o le uscite RCA. **Non** collegare le uscite RCA a ingressi a livello phono: le uscite RCA di Luxe LP sono a livello di linea e potrebbero danneggiare un dispositivo con ingressi a livello phono.

Nota bene: le uscite RCA monitorano il segnale che esce dal giradischi, non quello proveniente dal computer.

- Scollegare e ricollegare inoltre il cavo USB che unisce il Luxe LP al computer.

Non sento alcun audio durante la riproduzione di musica:

- Se si riproduce musica da **vinile**:
 - Assicurarsi che il Luxe LP sia acceso e che la puntina sia sul disco.
 - Utilizzare il Bluetooth o le uscite RCA per collegare il Luxe LP a un impianto stereo o altoparlanti. **Non** collegare le uscite RCA a ingressi a livello phono: le uscite RCA del Luxe LP sono a livello di linea e potrebbero danneggiare un dispositivo con ingressi a livello phono.
- Se si riproduce musica dal **computer**:
 - Assicurarsi che il volume del lettore musicale software sia acceso.
 - Assicurarsi che il volume del computer sia acceso.
 - Assicurarsi che le casse del computer siano selezionate come periferica di riproduzione predefinita del computer (si vedano le istruzioni qui di seguito). (Il Luxe LP non può essere utilizzato come periferica di riproduzione per l'audio del computer.)

Durante l'uso del giradischi sento un ronzio tramite l'altoparlante o il portatile.

- Se si sta registrando su un computer portatile:
 - Collegare il computer ad un'alimentazione con messa a terra (3 denti).
- Se si sta riproducendo musica con un altoparlante:
 - Collegare il dispositivo ad un'alimentazione con messa a terra (3 denti).

Il mio disco non suona alla giusta velocità; il pitch è troppo alto o troppo basso:

- Assicurarsi che l'interruttore **33/45/78** sia impostato sulla velocità giusta per il disco specifico.

L'altoparlante Bluetooth che voglio non si collega al Luxe LP.

- Spegnerne o spostare altri altoparlanti Bluetooth nelle vicinanze a oltre 10 metri in modo che solo l'altoparlante Bluetooth più vicino desiderato si colleghi.
- Premere e rilasciare il tasto Bluetooth del Luxe LP per scollegarlo dall'altoparlante Bluetooth, quindi premerlo nuovamente per collegarlo ancora.
- Spegnerne il Luxe LP e riaccenderlo, quindi premere il tasto Bluetooth per collegarlo nuovamente.
- Servirsi della manopola volume del Luxe LP per alzare il livello dell'uscita Bluetooth.

Sono collegato a un altoparlante Bluetooth, ma non sento alcun audio.

- Servirsi della manopola volume del Luxe LP per alzare il livello dell'uscita Bluetooth.
- Se si è collegati a un altoparlante Bluetooth dotato di tasto play, provare a premere il tasto play. Alternativamente, provare a premere il tasto Bluetooth sul Luxe LP.
- Tenere premuto il tasto Bluetooth del Luxe LP per scollegarlo dall'altoparlante Bluetooth. Quindi premere e rilasciare il tasto Bluetooth per collegarlo ancora.
- Spegnerlo il Luxe LP e riaccenderlo, quindi premere il tasto Bluetooth per collegarlo nuovamente.

Il mio smartphone non si collega al giradischi Luxe LP.

- Il giradischi Luxe LP agisce da trasmettitore Bluetooth inviando l'audio dal Luxe LP ad altri altoparlanti Bluetooth. Il giradischi Luxe LP non può agire da ricevitore Bluetooth e riprodurre musica dallo smartphone su cuffie o uscite RCA.

Il LED Bluetooth non smette di lampeggiare.

- Una volta premuto il tasto Bluetooth, il Luxe LP cercherà di collegarsi agli altoparlanti Bluetooth più vicini per 1 minuto. Per interrompere il lampeggio del LED Bluetooth riaccendere il Luxe LP.

Sento rumore statico in cuffia.

- Premere il tasto Bluetooth del Luxe LP per scollegarlo da un altoparlante Bluetooth collegato. Quando si ascolta il Luxe LP con le cuffie, assicurarsi sempre che il Luxe LP non sia collegato a un altoparlante Bluetooth allo stesso tempo.

Configurare il Luxe LP come dispositivo di registrazione predefinito

- **Windows XP:** Cliccare su **Start ► Pannello di controllo (o Impostazioni ► Pannello di controllo in visualizzazione classica) ► Suoni e periferiche audio**. Cliccare sulla scheda **Audio** e sotto **Registrazione audio**, selezionare **Dispositivo audio PnP USB** come periferica predefinita.
- **Windows Vista:** Cliccare su **Start ► Pannello di controllo (o Impostazioni ► Pannello di controllo in visualizzazione classica) ► Suoni e periferiche audio**. Cliccare sulla scheda **Registrazione** e selezionare **Dispositivo audio PnP USB** come periferica predefinita.
- **Windows 7:** Cliccare su **Start ► Pannello di controllo ► Audio**. Cliccare sulla scheda **Registrazione** e selezionare **Dispositivo audio PnP USB** come periferica predefinita.
- **Windows 8:** Nel menu **Start**, cliccare sull'angolo inferiore sinistro dello schermo per passare al Desktop. Nell'angolo inferiore destro della Barra delle applicazioni, individuare l'icona "Speaker" di controllo del Volume. Fare click col tasto destro del mouse e selezionare **Dispositivi di riproduzione**. Nel pannello di controllo **Audio di Windows** selezionare la scheda **Registrazione**. Se il **Dispositivo audio PnP USB** non presenta un segno di spunta verde, fare click col destro e selezionare **Imposta come dispositivo predefinito**.
- **macOS:** Cliccare sull'icona della "mela" in alto a sinistra, quindi cliccare su **Preferenze di sistema ► Audio**. Fare clic sulla scheda **Input**. Dal menu, selezionare **Dispositivo audio PnP USB** come periferica.

Configurazione della scheda audio del computer come dispositivo di riproduzione predefinito

- **Windows XP:** Cliccare su **Start ► Pannello di controllo** (o Impostazioni ► Pannello di controllo in visualizzazione classica) ► **Suoni e periferiche audio**. Cliccare sulla scheda **Audio** e sotto **Riproduzione audio**, selezionare la scheda audio del computer come periferica predefinita.
- **Windows Vista:** Cliccare su **Start ► Pannello di controllo** (o Impostazioni ► Pannello di controllo in visualizzazione classica) ► **Hardware e suoni ► Audio**. Cliccare sulla scheda **Riproduzione** e selezionare la scheda audio del computer come periferica predefinita.
- **Windows 7:** Cliccare su **Start ► Pannello di controllo ► Audio**. Cliccare sulla scheda **Riproduzione** e selezionare la scheda audio del computer come periferica predefinita.
- **Windows 8:** Nel menu **Start**, cliccare sull'angolo inferiore sinistro dello schermo per passare al Desktop. Nell'angolo inferiore destro della Barra delle applicazioni, individuare l'icona "Speaker" di controllo del Volume. Fare click col tasto destro del mouse e selezionare **Dispositivi di riproduzione**. Il pannello di controllo **Audio di Windows** dovrebbe comparire sulla scheda **Riproduzione**. Se la scheda audio del computer non presenta un segno di spunta verde, fare click col destro e selezionare **Imposta come dispositivo predefinito**.
- **macOS:** Cliccare sull'icona della "mela" in alto a sinistra, quindi cliccare su **Preferenze di sistema ► Audio**. Cliccare sulla scheda **Output**. Nel menu, selezionare **Internal Speakers** se si utilizzano le casse interne del computer o **Cuffie** se si utilizzano casse o cuffie collegate all'uscita cuffie da 1/8" del computer.

PRIMA DI RESTITUIRE QUESTO PRODOTTO, contattare ION Audio per ricevere assistenza tecnica a ionaudio.com/support.

Benutzerhandbuch (Deutsch)

Einführung

Vielen Dank für den Kauf von Luxe LP. Ihre Unterhaltung ist uns bei ION genauso wichtig wie Ihnen. Darum entwerfen wir unsere Produkte stets nur mit einem einzigen Ziel vor Augen: Ihr Leben einfacher und unterhaltsamer zu machen.

Lieferumfang

Luxe LP	45 RPM Adapter
Netzteil	USB-Kabel
Staubabdeckung	Schnellstart-Anleitung
Filz-Slipmat	Sicherheitshinweise und Garantieinformationen

Wichtig: Besuchen Sie ionaudio.com, um die kostenlose EZ Vinyl/Tape Converter Software herunterzuladen.

Kundendienst

Für die neuesten Informationen zu diesem Produkt (Dokumentation, technische Daten, Systemanforderungen, Informationen zur Kompatibilität etc.) und zur Produktregistrierung besuchen Sie bitte: ionaudio.com.

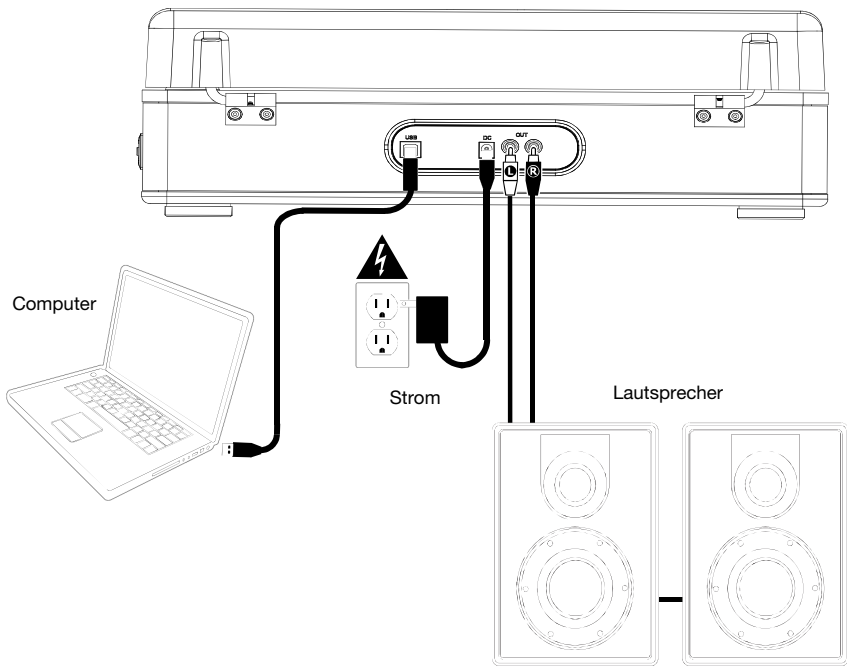
Für zusätzlichen Produkt-Support besuchen Sie ionaudio.com/support.

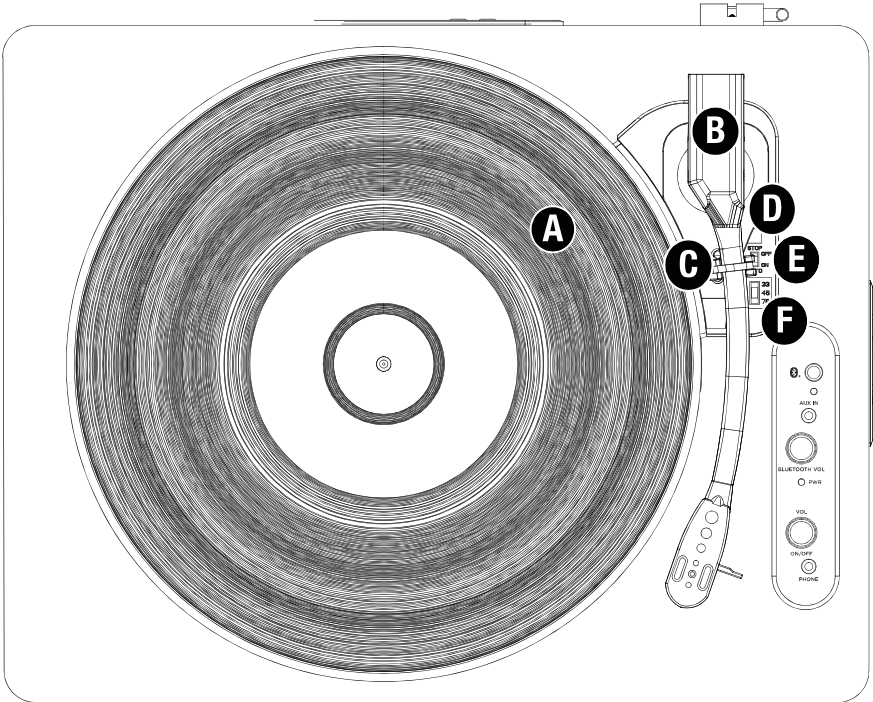
Setup

1. Legen Sie das Gerät auf eine stabile, ebene Fläche, die nicht in der Nähe von starken Magnetfeldern ist.
2. Heben Sie die Abdeckung an, um den Plattenspieler zu erreichen.
3. Entfernen Sie die Plastikabdeckung vom Tonabnehmer.
4. Entfernen Sie den Bindendraht, der verwendet wird, um den Tonarm während des Transports zu sichern.
5. **Optional:** Verbinden Sie ein Ausgabegerät mit dem **Line-Ausgang** und ein Eingabegerät mit dem **Aux In**.
6. **Optional:** Schließen Sie Ihren Plattenspieler mit dem mitgelieferten USB-Kabel an Ihren Computer an. Die USB-Verbindung sendet das Audiosignal vom Plattenspieler an Ihren Computer.
7. Stecken Sie das Netzkabel in eine Steckdose.
8. Drehen Sie den Regler **Lautstärke/Power**, um das Gerät einzuschalten.

Anschlussdiagramm

Teile, die nicht unter **Einführung > Lieferumfang** angegeben sind, sind separat erhältlich.



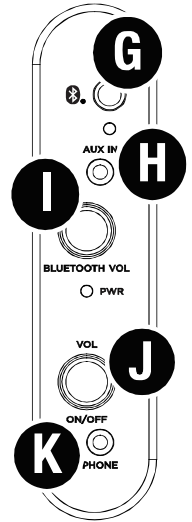


- A. **Plattenteller:** Hier platzieren Sie Ihre Schallplatte.
- B. **Tonarm:** Folgt dem Groove der Schallplatte.
- C. **Arm-Clip:** Dieser speziell entworfene Arm-Clip sichert den Tonarm, wenn er nicht verwendet wird. Der Arm-Clip wurde so entwickelt, dass er in der oberen Position bleibt, wenn er entsperrt ist.
- D. **Hebel:** Hebt und senkt den Tonarm.
- E. **Autostop-Schalter:** Dieser Schalter schaltet Autostop ein oder aus. Wenn Autostop eingeschaltet ist, wird der Plattenteller zu rotieren beginnen, sobald der Tonarm über die Schallplatte gelegt wird und stoppen, wenn die Platte das Ende erreicht hat. Wenn Autostop ausgeschaltet ist, wird sich der Plattenteller immer und unabhängig von der Position des Tonarms drehen.
- F. **33 / 45 / 78 RPM-Schalter:** Regelt die Geschwindigkeit (RPM) des Plattentellers.

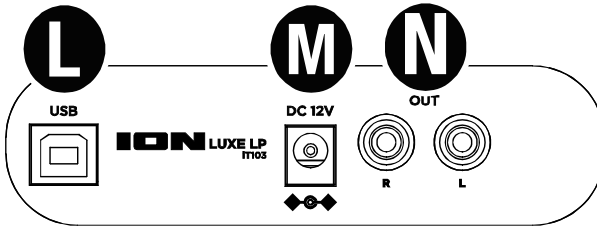
Hinweis: Für die Wiedergabe von 78 RPM Schallplatten verwenden Sie idealerweise eine 78 RPM-Nadel (separat erhältlich). Verwenden Sie für 78 RPM Schallplatten ausschließlich 78 RPM-Nadeln. Kaufen Sie eine 78 Nadel auf ionaudio.com.

Oberseite

- G. **Bluetooth-Taste:** Drücken Sie diese Taste, um die Bluetooth-Verbindung zu starten. Die LED blinkt beim Koppeln mit einem Bluetooth-Gerät und leuchtet nach erfolgreichem Koppeln durchgehend. Wenn nach 1 Minute keine Bluetooth-Lautsprecher für eine Verbindung gefunden werden können, wird der Bluetooth-Sender inaktiv und die LED erlischt. Wenn die Geräte derzeit verbunden sind, halten Sie diese Taste, um alle derzeit verbundenen Bluetooth-Geräte zu trennen.
- H. **Aux-Eingang:** Schließen Sie einen CD-Player, digitalen Medien-Player oder eine andere Audioquelle an diesen 1/8" AUX-Stereoeingang an. Das Audiosignal vom Aux-Eingang wird ebenfalls über eine Bluetooth-Verbindung übertragen.
- I. **Bluetooth-Lautstärke:** Mit diesem Regler können Sie die Lautstärke eines angeschlossenen Bluetooth-Lautsprechers einstellen.
- J. **Lautstärke/Power:** Dieser Regler dient sowohl dem Einschalten von Luxe LP als auch dem Einstellen der Lautstärke. Um Luxe LP ein- oder auszuschalten, drehen Sie einfach den Knopf. Sie werden ein Klicken spüren, wenn Luxe LP eingeschaltet wird. Um die Lautstärke einzustellen, drehen Sie den Regler nach links und rechts.
- TIPP:** Aufgrund der Natur von Bluetooth sind der Luxe LP-Ausgang und der Ausgang des Bluetooth-Lautsprechers nicht synchron. Verringern Sie diese Lautstärke, wenn Sie an einen Bluetooth-Lautsprecher senden.
- K. **Kopfhörerbuchse:** Schließen Sie Kopfhörer an (separat erhältlich), um Ihre Schallplatten anzuhören.



Rückseite



- L. **USB-Audioausgang:** Schließen Sie Ihren Plattenspieler mit dem mitgelieferten USB-Kabel an Ihren Computer an. Die USB-Verbindung sendet das Audiosignal vom Plattenspieler an Ihren Computer. Bitte beachten Sie den Abschnitt **So verwenden sie Luxe LP mit ihrem computer** in diesem Handbuch für weitere Informationen.
- M. **Netzkabel-Eingang:** Verwenden Sie den mitgelieferten Adapter, um ihn mit einer Steckdose zu verbinden.
- N. **Cinch-Ausgang:** Die Audiosignale von einer Vinyl-Schallplatte, die gerade abgespielt wird, wird an diesen Line-Level-RCA-Ausgang gesendet. Dieser darf nicht mit Phono-Level-Geräten verbunden werden.

WARNUNG: Die Cinch-Ausgänge sind line-pegel. Bitte nur verbinden um line-pegel Eingängen. Sie könnten beschädigen Ihre Empfänger wenn Sie Verbindung die Cinch-Ausgänge des Luxe LP sind zu einem Phono-Eingängen.

Wiedergabe

Es gibt 3 Möglichkeiten, um Ihre Schallplatten mit Luxe LP anzuhören:

1. Sie können den Luxe LP mit einem Bluetooth-Lautsprecher verbinden. Siehe Abschnitt **Den Luxe LP mit einem Bluetooth-Lautsprecher koppeln** für weitere Details.
2. Wenn Sie Ihre eigenen Stereo-Lautsprecher verwenden möchten, können Sie die Luxe LP Cinch-Ausgänge mit einer Stereoanlage oder Aktivlautsprechern verbinden. Verbinden Sie sie nicht mit Phono-Eingängen; Die Cinch-Ausgänge des Luxe LP sind Line-Verbindungen und könnten ein Gerät mit Phono-Eingängen beschädigen. (Jeder andere standardmäßige Eingangstypus wie CD, Aux In oder Tape ist akzeptabel).
3. Sie können Ihre Platten über Ihre Computer-Lautsprecher oder über an den Computer angeschlossene Kopfhörer hören sobald das Eingabegerät Ihrer Computer-Soundkarte auf **USB PnP Audio Device** oder **USB-Audiogerät eingestellt wurde**, je nach Windows-Betriebssystem (USB PnP-Audiogerät auf Mac OS X) und nachdem eingestellt wurde, dass das Monitoring der Audiosignale über EZ Vinyl/Tape Converter oder eine ähnliche Software vorgenommen wird (Luxe LP kann nicht als Wiedergabegerät für Audiosignale des Computers verwendet werden.). Siehe Abschnitt **So stellen Sie die Soundkarte des Computers als ihres Standard-wiedergabegerät ein** für weitere Details, wie die Soundwiedergabe konfiguriert werden kann.

Hinweis (betrifft nur die Modelle für Europa): Luxe LP schaltet sich nach 10 Minuten automatisch aus, wenn kein Audiosignal wiedergegeben wird.

Den Luxe LP mit einem Bluetooth-Lautsprecher koppeln

Der Luxe LP hat einen Bluetooth-Sender, um Audiosignale drahtlos an einen Bluetooth-Lautsprecher zu senden.

1. Schalten Sie Ihren Bluetooth-Lautsprecher ein, um sicherzustellen, dass er sich im Koppel-Modus befindet.
2. Schalten Sie den Luxe LP Plattenspieler ein.
3. Drücken Sie kurz auf die Bluetooth-Taste am Luxe LP, um eine Verbindung zu Ihrem Bluetooth-Gerät herzustellen. Sobald der Luxe LP mit einem Bluetooth-Lautsprecher verbunden ist, wird die Bluetooth-LED durchgehend blau leuchten. Auch Ihr Bluetooth-Lautsprecher sollte anzeigen, dass er gekoppelt wurde.

Hinweis: Ihr Luxe LP wird mit dem nächstgelegenen Bluetooth-Lautsprecher gekoppelt. Wenn nach 20 Minuten kein Bluetooth-Lautsprecher für eine Verbindung gefunden werden kann, wird der Bluetooth-Sender inaktiv und die LED erlischt.

Hinweis: Die maximale Reichweite wird erzielt, wenn Sie Geräte mit Bluetooth 4.0 oder höher verwenden.

4. Spielen Sie Musik auf Ihrem Luxe LP Plattenspieler. Wenn Sie mit einem Bluetooth-Lautsprecher verbunden sind und keinen Ton hören, drücken Sie die Wiedergabe-Taste am Lautsprecher oder drücken Sie auf die Bluetooth-Taste am Luxe LP.
5. Stellen Sie die Lautstärke auf Ihrem Bluetooth-Lautsprecher (falls vorhanden) ein oder verwenden Sie den Lautstärkeregler am Luxe LP, um den Ausgangspegel anzupassen.
6. Um den Bluetooth-Lautsprecher zu trennen, halten Sie die Bluetooth-Taste, schalten Sie den Luxe LP Plattenspieler aus oder schalten Sie Bluetooth auf Ihrem Bluetooth-Lautsprecher aus.

Hinweis: Bringen Sie andere Bluetooth-Empfänger/-Lautsprecher außer Reichweite des Luxe LP (mindestens 30') oder schalten Sie sie ab, um eine Verbindung mit Ihrem Bluetooth-Lautsprecher herzustellen.

So verwenden Sie Luxe LP mit Ihrem Computer

Aufnahme

Um Musik mit Ihrem Computer aufzunehmen, können Sie ION EZ Vinyl/Tape Converter und ein USB-Kabel verwenden. EZ Vinyl/Tape Converter speichert Ihre Aufnahmen direkt mit Ihrem Computer. Nachdem Sie Ihre Schallplatten konvertiert haben, können Sie sie auf CD brennen oder auf tragbare Mediengeräte laden.

Besuchen Sie ionaudio.com, um die kostenlose EZ Vinyl/Tape Converter Software herunterzuladen.

1. Wenn Sie EZ Vinyl/Tape Converter auf Ihrem Computer installiert haben, verwenden Sie das mitgelieferte USB-Kabel, um den USB-Port des Luxe LP mit einem freien USB-Port Ihres Computers zu verbinden.
2. Um EZ Vinyl/Tape Converter auf Ihrem Computer zu öffnen, wählen Sie **Startmenü ▶ Alle Programme** (Windows) oder das **Anwendungen**-Menü (Mac).
3. Befolgen Sie die Anweisungen auf dem Bildschirm, um Ihre Aufnahme vorzubereiten. Wenn Sie aufgefordert werden, Ihre Musik zu spielen, bringen Sie den Tonarm des Luxe LP über die Platte und starten die Wiedergabe.

Hinweis: Um sich eine Platte während der Wiedergabe anzuhören, können Sie Bluetooth-Lautsprecher verwenden, können Sie die Lautsprecher Ihres Computers verwenden, oder können Sie die Cinch-Ausgänge des Luxe LP an eine Stereoanlage oder Aktivlautsprecher anschließen. Verbinden Sie sie **nicht** mit Phono-Eingängen; Die Cinch-Ausgänge des Luxe LP sind Line-Verbindungen und könnten ein Gerät mit Phono-Eingängen beschädigen.

4. Wenn die Platte das Ende erreicht, kehrt der Tonarm des Luxe LP automatisch in den Arm-Clip zurück.

Besuchen Sie ionaudio.com/computer-optimization für weitere Informationen zur Optimierung Ihres Computers für Audio.

Wiedergabe

Sie können die Musik auf Ihrem Computer über seine internen Lautsprecher oder über die angeschlossenen Kopfhörer hören. (Luxe LP kann nicht als Abspielgerät für Audio Ihres Computers verwendet werden.)

Um eine **Platte** während der Wiedergabe anzuhören, können Sie Bluetooth-Lautsprecher verwenden, können Sie die Lautsprecher Ihres Computers verwenden, oder können Sie die Cinch-Ausgänge des Luxe LP an eine Stereoanlage oder Aktivlautsprecher anschließen. Verbinden Sie sie **nicht** mit Phono-Eingängen; Die Cinch-Ausgänge des Luxe LP sind Line-Verbindungen und könnten ein Gerät mit Phono-Eingängen beschädigen.

Fehlerbehebung

Wenn Sie Schwierigkeiten mit dem Produkt haben, lesen Sie bitte die unten aufgeführten Schritte zur Fehlerbehebung und in das EZ Vinyl/Tape Converter Handbuch.

Wenn Sie auf einen Computer aufnehmen:

- Stellen Sie sicher, dass Luxe LP eingeschaltet und die Nadel auf der Schallplatte ist.
- Stellen Sie sicher, dass Luxe LP in Ihrem Computer als standardmäßiges Aufnahmegerät ausgewählt ist (siehe Anleitung unten).
- Wenn Sie die Lautsprecher Ihres Computers verwenden, stellen Sie sicher, dass diese Lautsprecher als standardmäßige Wiedergabe-Geräte Ihres Computer ausgewählt sind (siehe Anleitung unten). Alternativ Sie können Bluetooth oder die Cinch-Ausgänge verwenden, um Luxe LP mit einem Stereosystem oder Aktivlautsprechern zu verbinden. Verbinden Sie **nicht** Cinch-Ausgänge mit Phono-Eingängen; Die Cinch-Ausgänge des Luxe LP sind Line-Verbindungen und könnten ein Gerät mit Phono-Eingängen beschädigen.
- **Hinweis: Die Cinch-Ausgänge überwachen das Signal vom Plattenspieler, nicht das Signal Ihres Computers.**
- Stecken Sie auch das USB-Kabel, das den Luxe LP mit Ihrem Computer verbindet, zuerst ab und anschließend wieder ein.

Ich kann bei der Musikwiedergabe nichts hören:

- Wenn Sie **Vinylplatten** spielen:
 - o Stellen Sie sicher, dass Luxe LP eingeschaltet und die Nadel auf der Schallplatte ist.
 - o Verwenden Bluetooth oder die Cinch-Ausgänge, um Luxe LP mit einem Stereosystem oder Aktivlautsprechern zu verbinden. Verbinden Sie **nicht** Cinch-Ausgänge mit Phono-Eingängen; Die Cinch-Ausgänge des Luxe LP sind Line-Verbindungen und könnten ein Gerät mit Phono-Eingängen beschädigen.
- Wenn Sie Musik von Ihrem **Computer** spielen:
 - o Achten Sie darauf, dass die Lautstärke Ihres Musik-Players aufgedreht ist.
 - o Achten Sie darauf, dass die Lautstärke Ihres Computers aufgedreht ist.
 - o Achten Sie darauf, dass die Lautsprecher Ihres Computers als standardmäßiges Wiedergabe-Gerät für Ihren Computer ausgewählt sind (siehe Anleitung unten). (Luxe LP kann nicht als Abspielgerät für Audio Ihres Computers verwendet werden.)

Wenn ich den Plattenspieler verwende, höre ich ein Summen durch meine Lautsprecher, oder meinen Laptop

- Wenn Sie mit einem Laptop aufnehmen:
 - o Bitte verbinden Sie den Laptop an eine geerdete Stromquelle (3 polig).
- Wenn Sie über einen Lautsprecher spielen:
 - o Bitte verbinden Sie diesen mit einer geerdeten (3 poligen) Stromquelle.

Meine Schallplatte wird nicht mit der richtigen Geschwindigkeit wiedergegeben. Die Tonlage ist zu hoch oder zu tief:

- Stellen Sie sicher, dass der 33/45/78-Schalter für diese Schallplatte auf die entsprechende Geschwindigkeit eingestellt ist.

Der gewünschte Bluetooth-Lautsprecher kann keine Verbindung zum Luxe LP herstellen.

- Schalten Sie in der Nähe befindliche Bluetooth-Lautsprecher aus oder verschieben Sie andere Bluetooth-Lautsprecher mehr als 30', so dass nur der gewünschte nächste Bluetooth-Lautsprecher gekoppelt wird.
- Drücken Sie kurz auf die Bluetooth-Taste des Luxe LP, um das Gerät vom Bluetooth-Lautsprecher zu trennen. Drücken Sie erneut auf diese Taste, um nocheinmal zu versuchen, eine Verbindung herzustellen.
- Schalten das Luxe LP aus und wieder ein. Drücken Sie anschließend die Bluetooth-Taste, um erneut zu versuchen, eine Verbindung herzustellen.
- Verwenden Sie den Lautstärkereglern am Luxe LP, um den Bluetooth-Ausgangspegel anzupassen.

Ich bin mit einem Bluetooth-Lautsprecher verbunden, höre aber keinen Ton.

- Verwenden Sie den Lautstärkereger am Luxe LP, um den Bluetooth-Ausgangspegel anzupassen.
- Wenn Sie mit einem Bluetooth-Lautsprecher mit einer Wiedergabe-Taste verbunden sind, drücken Sie die Wiedergabe-Taste. Alternativ Sie können drücken Sie die Bluetooth-Taste am Luxe LP.
- Halten Sie auf die Bluetooth-Taste des Luxe LP, um das Gerät vom Bluetooth-Lautsprecher zu trennen. Dann drücken Sie kurz auf die Bluetooth-Taste, um eine Verbindung mit dem Lautsprecher zu herzustellen.
- Schalten das Luxe LP aus und wieder ein. Drücken Sie anschließend die Bluetooth-Taste, um erneut zu versuchen, eine Verbindung herzustellen.

Mein Smartphone kann keine Verbindung zum Luxe LP Plattenspieler herstellen.

- Der Luxe LP Plattenspieler agiert als Bluetooth-Sender und sendet die Audiosignale vom Luxe LP an andere Bluetooth-Lautsprecher. Der Luxe LP Plattenspieler kann nicht als Bluetooth-Empfänger agieren und Musik von Ihrem Smartphone über Kopfhörer oder Cinch-Ausgänge abspielen.

Die Bluetooth-LED wird kontinuierlich blinken.

- Sobald die Bluetooth-Taste gedrückt wird, wird Luxe LP versuchen mit den nächstgelegenen Bluetooth-Lautsprechern innerhalb von 1 Minute eine Verbindung herzustellen. Um die blinkende Bluetooth-LED zu stoppen, schalten Sie Luxe LP aus und wieder ein.

Ich höre Störgeräusche in meinen Kopfhörern.

- Drücken Sie die Bluetooth-Taste am Luxe LP, um es von einem gekoppelten Bluetooth-Lautsprecher zu trennen. Wenn Sie Kopfhörer verwenden, achten Sie stets darauf, dass das Luxe LP nicht gleichzeitig mit einem Bluetooth-Lautsprecher verbunden ist.

Luxe LP als Standard-Aufnahmegerät einstellen

- **Windows XP:** Klicken Sie auf **Startmenü ▶ Systemsteuerung** (oder **Einstellungen ▶ Systemsteuerung** in der klassischen Ansicht) ▶ **Sound und Audiogeräte**. Klicken Sie auf die Registerkarte **Audio** unter **Aufnahme** und wählen Sie **USB PnP-Audiogerät** als Standard-Gerät aus.
- **Windows-Vista:** Klicken Sie **Startmenü ▶ Systemsteuerung** (oder **Einstellungen ▶ Systemsteuerung** in der klassischen Ansicht) ▶ **Hardware und Sound ▶ Ton**. Klicken Sie auf die Registerkarte **Aufnahme** und wählen Sie **USB PnP-Audiogerät** als Standard-Gerät.
- **Windows 7:** Wählen Sie ▶ **Startmenü Systemsteuerung ▶ Ton**. Klicken Sie auf die Registerkarte **Aufnahme** und wählen Sie **USB PnP-Audiogerät** als Standard-Gerät.
- **Windows 8:** Klicken Sie im **Startmenü** auf die linke untere Ecke des Bildschirms, um zum Desktop zu gelangen. Klicken Sie in der rechten unteren Ecke der Taskleiste auf das "Lautsprechersymbol". Klicken Sie mit der rechten Maustaste auf den Lautsprecher und wählen **Wiedergabegeräte**. In der Windows-Systemsteuerung für **Sound** wählen Sie die Registerkarte **Aufnahme**. Wenn neben **USB PnP-Audiogerät** kein grünes "Häkchen"-Symbol angezeigt wird, klicken Sie mit der rechten Maustaste auf Luxe LP und wählen **Als Standardgerät festlegen**.
- **macOS:** Klicken Sie auf das obere linke "Apfel"-Symbol und klicken dann auf **Systemeinstellungen ▶ Ton**. Klicken Sie auf die Registerkarte **Input**. Wählen Sie **USB PnP-Audiogerät** im Menü als Gerät aus.

So stellen Sie die Soundkarte des Computers als ihres Standard-wiedergabegerät ein

- **Windows XP:** Klicken Sie auf **Startmenü ▶ Systemsteuerung** (oder **Einstellungen ▶ Systemsteuerung** in der klassischen Ansicht) ▶ **Sound und Audiogeräte**. Klicken Sie auf die Registerkarte **Audio** und wählen unter **Soundwiedergabe** Ihre Computer-Soundkarte als Standardgerät.
- **Windows-Vista:** Klicken Sie **Startmenü ▶ Systemsteuerung** (oder **Einstellungen ▶ Systemsteuerung** in der klassischen Ansicht) ▶ **Hardware und Sound ▶ Ton**. Klicken Sie auf die Registerkarte **Wiedergabe** und wählen Sie Ihre Computer-Soundkarte als Standardgerät aus.
- **Windows 7:** Wählen Sie **Startmenü ▶ Systemsteuerung ▶ Ton**. Klicken Sie auf die Registerkarte **Wiedergabe** und wählen Sie Ihre Computer-Soundkarte als Standardgerät aus.
- **Windows 8:** Klicken Sie im **Startmenü** auf die linke untere Ecke des Bildschirms, um zum Desktop zu gelangen. Klicken Sie in der rechten unteren Ecke der Taskleiste auf das "Lautsprechersymbol". Klicken Sie mit der rechten Maustaste auf den Lautsprecher und wählen **Wiedergabegeräte**. Die Windows-Systemsteuerung für **Sound** sollte nun unter der Registerkarte **Wiedergabe** aufscheinen. Wenn neben der Soundkarte Ihres Computers kein grünes "Häkchen"-Symbol aufscheint, klicken Sie mit der rechten Maustaste auf die Soundkarte und wählen **Als Standardgerät festlegen**.
- **macOS:** Klicken Sie auf das obere linke "Apfel"-Symbol und klicken dann auf **Systemeinstellungen ▶ Ton**. Klicken Sie auf die Registerkarte **Ausgabe**. Aus dem Menü wählen Sie **Interne Lautsprecher**, wenn Sie die internen Computerlautsprecher verwenden oder **Kopfhörer**, wenn Sie Lautsprecher oder Kopfhörer verwenden, die über den 3,5 mm-Kopfhörerausgang an den Computer angeschlossen sind.

BEVOR SIE DIESES PRODUKT EINSENDEN, kontaktieren Sie bitte ION Audio für technischen Support beim ionaudio.com/support

Appendix (English)

Technical Specifications

Output Power	2 x 2 W (peak)
Frequency Response	100 Hz – 10 KHz (+3/-10 dB)
Drivers	Low-Frequency: 2 x 3" / 77 mm woofer
Bluetooth Specifications	Profile: A2DP, AVRCP Range: Up to 100 feet / 30.5 meters
Cartridge Type	Ceramic
Stylus	Conical, ruby-tipped included Replacement can be purchased at ionaudio.com
Power	Via power adapter (12 VDC, 1 A, center-positive, included) Connection: barrel Input Voltage: 100–240 VAC, 50/50 Hz V AC, 50/60 Hz Consumption: 15 W
Dimensions (width x depth x height)	16.1" x 12.99" x 5.7" 410mm x 330mm x 145mm
Weight	8.45 lb. 3.83 kg

Specifications are subject to change without notice. Bluetooth and wireless range are affected by walls, obstructions, and movement. For optimal performance, place the product in the center of the room so it is unobstructed by walls, furniture, etc. Battery life may vary based on temperature, age, and volume usage of product.

Trademarks & Licenses

ION Audio is a trademark of ION Audio, LLC, registered in the U.S. and other countries. The *Bluetooth* word mark and logos are owned by the Bluetooth SIG, Inc. and any use of such marks by ION Audio is under license. macOS is a trademark of Apple Inc., registered in the U.S. and other countries. Windows is a registered trademark of Microsoft Corporation in the United States and other countries. All other product names, company names, trademarks, or trade names are those of their respective owners.

ionaudio.com